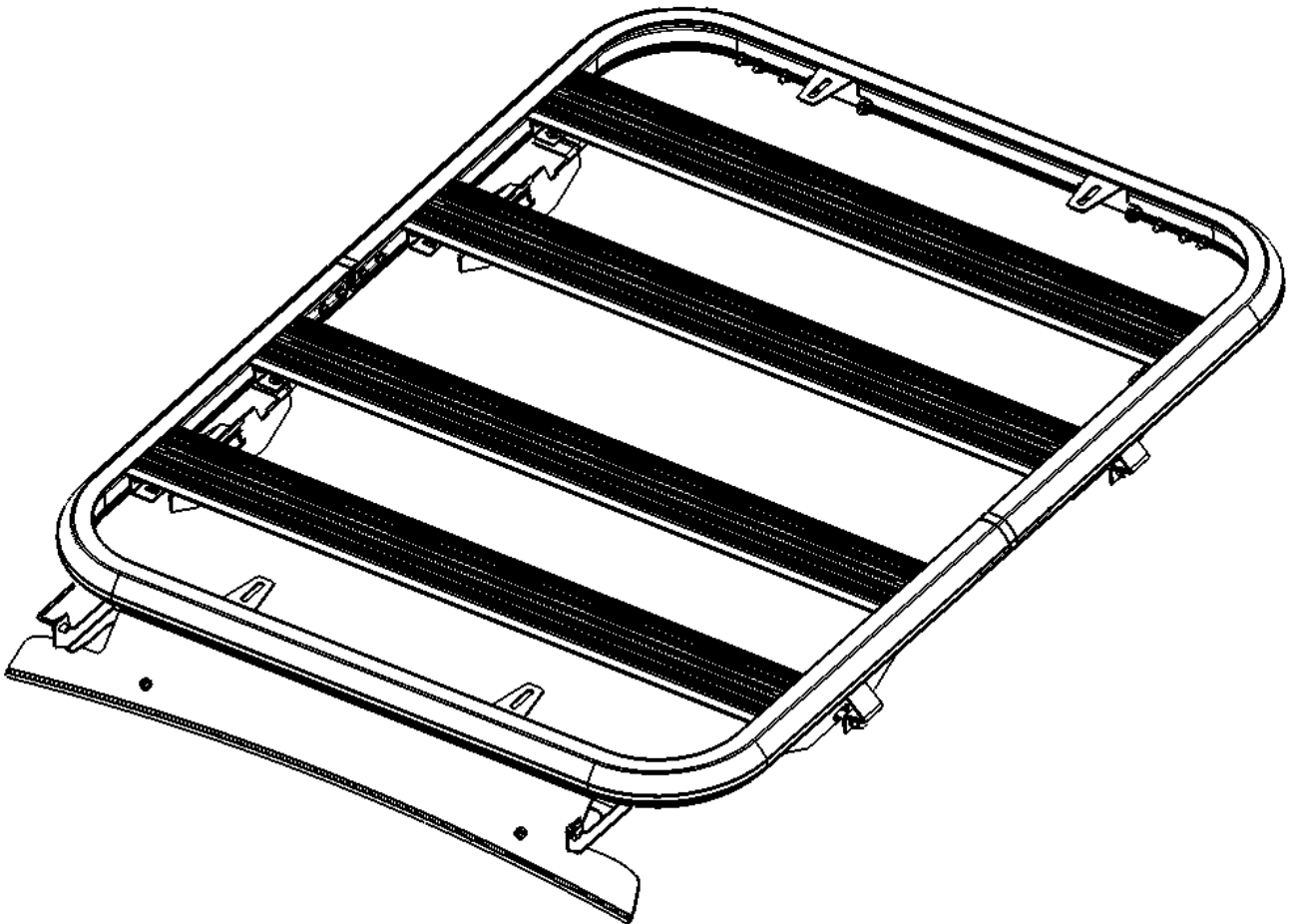


# Installation Instructions



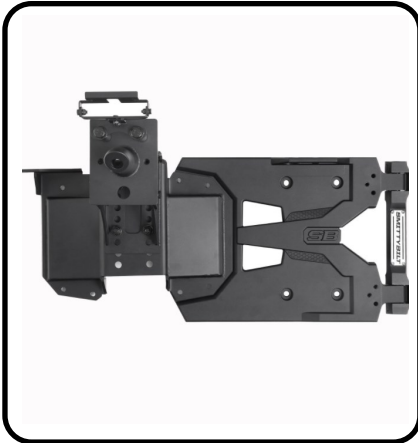
## Defender Platform Mounting Kit 2014 – 2021 Subaru Forester Part #: S/BS03



For Technical Support / Warranty Information please call 800-776-0767

## Introduction

Thank you for choosing Smittybilt accessories for your Subaru Forester. If you would like to view our full range of available accessories, please visit us at [www.smittybilt.com](http://www.smittybilt.com)



## Important Notes Before Starting

### ! IMPORTANT NOTE

Carefully read through this entire instruction manual thoroughly before attempting to install this part. Please refer to the vehicles owner's manual for roof weight capacity (include weight of rack). Check that all fasteners are properly torqued after installing the roof rack and driving a short distance. Fasteners should be checked regularly before loading roof rack. Fasten loads securely and evenly distribute loads across the rack. Lower the center of gravity of all loads as much as possible. Wind can affect driving sensitivity with roof racks.

### ! WARNING

Serious injury can occur when working on vehicles alone.

When possible, work with another person to reduce risk of injury from strain or other dangers that can occur when working alone.

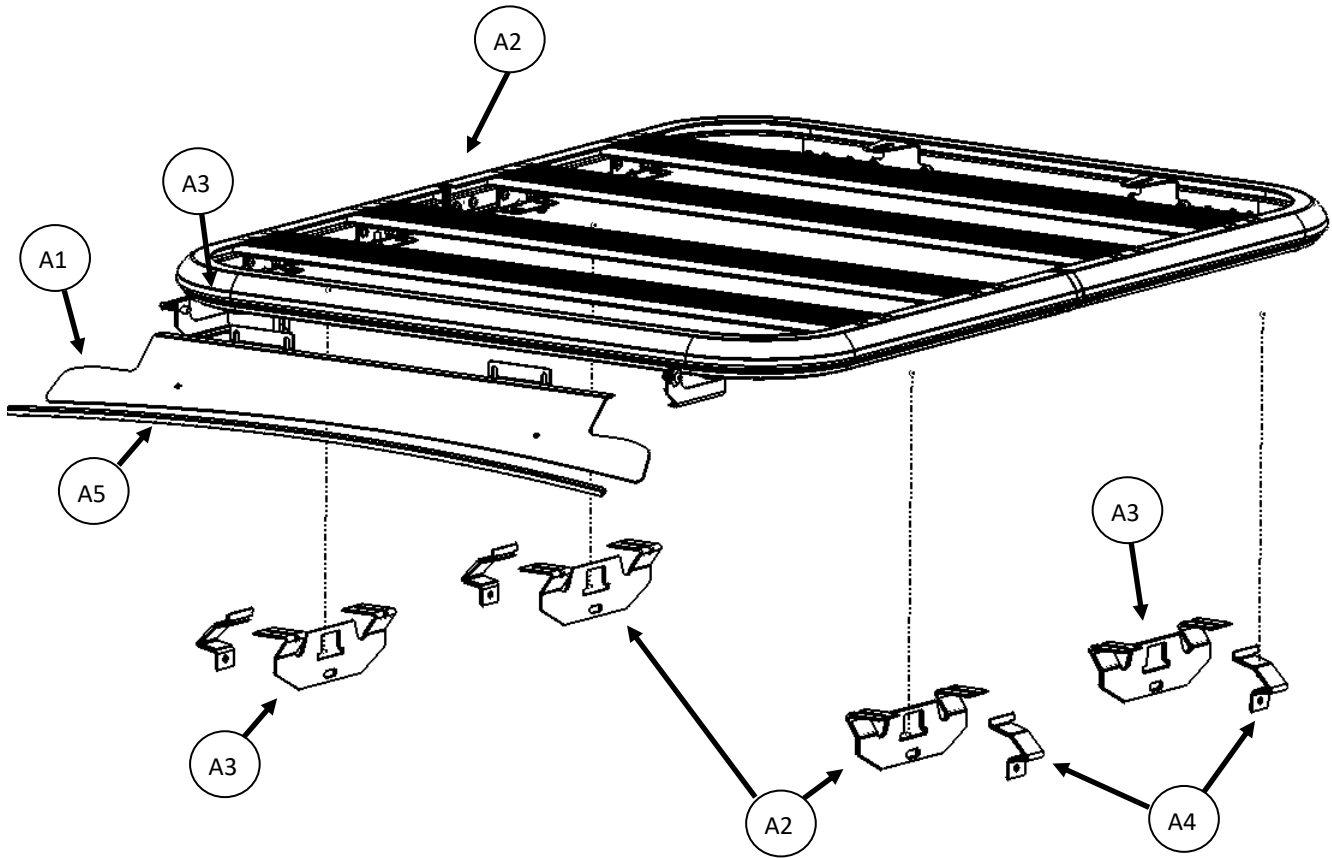
### TOOLS REQUIRED

13mm Socket	13mm Wrench	10mm Wrench
10mm Socket	Socket Wrench	4mm Allen key
5mm Allen Key		



For Technical Support / Warranty Information please call 800-776-0767

# Box Contents



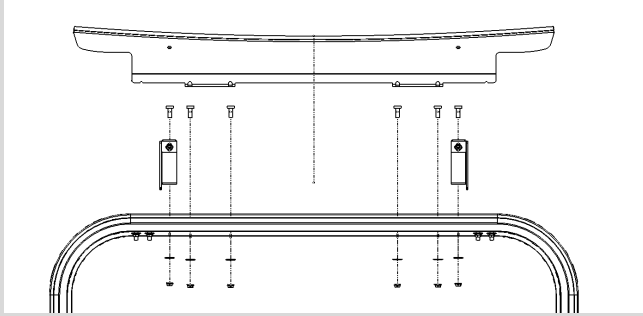
ID #	Description	QTY
A1	Wind deflector	1
A2	Mounting Bracket A	6
A3	Mounting Bracket B	2
A4	Clamp Bracket	2
A5	Wind deflector trim piece	1



For Technical Support / Warranty Information please call 800-776-0767

# Installation Instructions

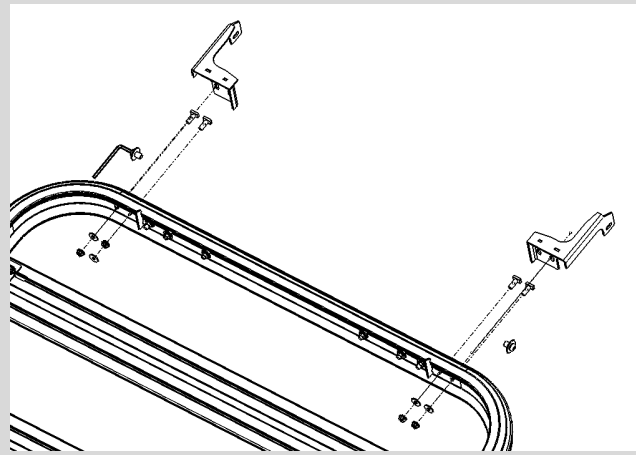
## Step 1: Installing Wind Deflector



Install the wind deflector onto the Defender Platform using 4X pre-installed T bolts. Secure the additional mounting brackets to the Defender Rack using 2X pre-installed T-bolts and secure the wind deflector to the mounting brackets with 2X M6 button heads, flat washers, lock washers and nuts.

Leave loose for now.

## Step 2: Installing Light Bar (Optional)



Align the slots of the light bracket to the pre-installed T-bolts and lightly tighten.

Install light bar onto the light brackets and lightly tighten.

Center the wind deflector and light bar brackets and tighten down both.

Note: Wind deflector removed from graphic for better visibility.

## Step 3: Installing Pod Light Mounts

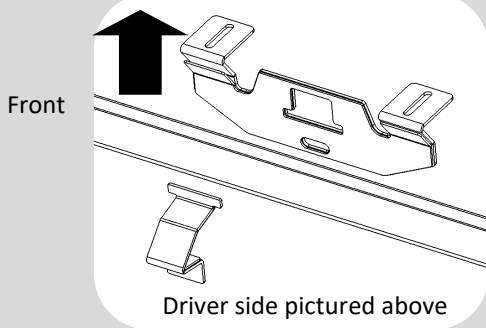


Install the light pod bracket using the T-bolts pre-installed on the inner front section. Place the bracket with the light mount facing up.



For Technical Support / Warranty Information please call 800-776-0767

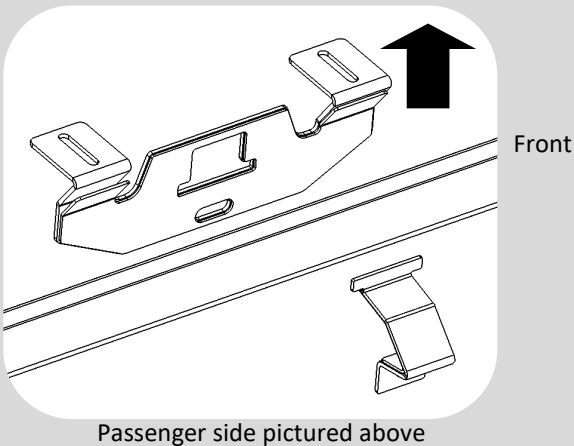
# Installation Instructions



## Step 4: Install Mount A 2X

Loosely attach mounting bracket A on the rail closest to the drivers side front seat using the provided clamp bracket and 2X M8 bolts/nuts. The side closest to the front of the vehicle should be higher than the other.

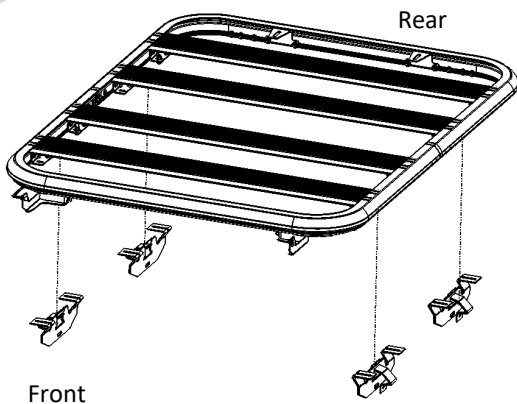
Repeat on the rail closest to the passenger side back seat. The side closest to the rear of the vehicle should be higher than the other.



## Step 5: Installing Mount B 2X

Loosely attach mounting bracket B on the rail closest to the passenger side front seat using the provided clamp bracket and 2X M8 bolts/nuts. The side closest to the front of the vehicle should be higher than the other.

Repeat on the rail closest to the Driver side back seat. The side closest to the rear of the vehicle should be higher than the other.



## Step 6: Attaching Defender Platform

With one other person's assistance rest the roof rack on the mounts. Center the roof rack and adjust the mounts along the length of the rail to accommodate the width of the corresponding mounts.

Fasten the platform to the mounts using the 4X provided M6 bolt plates and corresponding washers + nuts.

## Step 7: Tighten Hardware

Tighten all hardware to spec using the chart found on page 6.

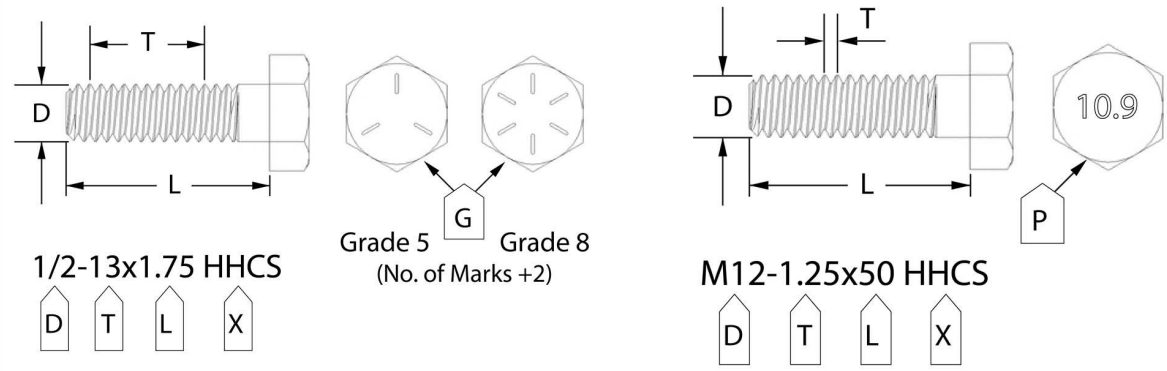


For Technical Support / Warranty Information please call 800-776-0767

# Bolt Torque Specifications

Use this only as a guide for hardware without a called out torque specification in the instruction manual.

<b>Bolt Torque and ID</b>						
Decimal System			Metric System			
<i>All Torques in Ft. Lbs. Maximums</i>						
Bolt Size	Grade 5	Grade 8	Bolt Size	Class 9.8	Class 10.9	Class 12.9
5/16	15	20	M6	5	9	12
3/8	30	45	M8	18	23	27
7/16	45	60	M10	32	45	50
1/2	65	90	M12	55	75	90
9/16	95	130	M14	85	120	145
5/8	135	175	M16	130	165	210
3/4	185	280	M18	170	240	290



<p>G= Grade (Bolt Strength)</p> <p>D= Nominal Diameter (Inches)</p> <p>T= Thread Count (Threads per Inch)</p> <p>L= Length (Inches)</p> <p>X= Description (Hex Head Cap Screw)</p>	<p>P= Property Class (Bolt Strength)</p> <p>D= Nominal Diameter (Millimeters)</p> <p>T= Thread Pitch (Thread Width, mm)</p> <p>L= Length (Millimeters)</p> <p>X= Description (Hex Head Cap Screw)</p>
--	---



For Technical Support / Warranty Information please call 800-776-0767



# Notes and Disclaimers

## Product cleaning and maintenance instructions

Stainless Steel Finish – Aluminum polish may be used to polish small scratches and scuffs on the finish. Mild soap, window or glass cleaner may be used to clean the finish. Dual state powder coat finish – Mild soap, window or glass cleaner may be used to clean the finish. In order to protect the finish, you may wax your product on a regular basis with pure carnauba automotive wax. Do not use any types of soap, polish or wax that contains abrasive that could damage the finish. Textured coated finishes should be cleaned with a mild soap on a damp sponge. Do not apply polish or wax that requires to be removed by means of buffing. This type of wax is commonly used at car wash facilities. Chrome Finish – Mild soap, window or glass cleaner may be used to clean the finish. In order to protect the finish, you should wax your product on a regular basis with pure carnauba automotive wax. Do not use any types of soap, polish or wax that contains abrasive that could damage the finish.

## SMITTYBILT ADVANTAGE WARRANTY

### LIMITED-LIFETIME WARRANTY FOR STRUCTURAL COMPONENTS

#### 5-YEAR FINISH WARRANTY

Smittybilt Automotive Products, LLC (SAP) warrants to the original purchaser that (a) the physical components (e.g., metal components, welds, etc.) of any SAP **Jeep JK® Defender Platform Mounting Kit** will be free of defects in material and workmanship for the lifetime of the product from the date of purchase of the Defender Rack Mounting Kit, and (b) the finish will be free of defects in material and workmanship for a period of 5-years from the original date of purchase. This warranty applies only to the original purchaser of the Defender Rack Mounting Kit and is non-transferable. To obtain any warranty service, you must provide SAP with a proof of purchase and date of purchase that is acceptable to SAP, such as a copy of your purchase receipt.

This warranty does not cover labor of part replacement of the Defender Rack Mounting Kit. SAP will, at its sole discretion, provide replacement part(s) for a defective Defender Rack Mounting Kit or component, provided this is done within the warranty period. To request assistance under warranty, one must call or email using the phone number or email at the bottom of this page. This warranty does not apply (1) wearable components; or (2) if the Defender Rack Mounting Kit has been damaged, including, but not limited to: abuse, misuse, collision, modification, misapplication, improper installation, or improper service. This warranty is void if any SAP serial number has been removed or defaced; or if the Defender Rack Mounting Kit is used for any commercial, industrial, or rental applications. This warranty only applies to Defender Rack Mounting Kit bought, sold, and used within the United States or Canada unless otherwise specifically agreed in writing by SAP.

THE WARRANTY SET FORTH ABOVE IS THE ONLY WARRANTY. THERE ARE NO OTHER WARRANTIES, EXPRESSED OR IMPLIED, INCLUDING BUT NOT LIMITED TO IMPLIED WARRANTIES OF MERCHANT ABILITY OR FITNESS FOR A PARTICULAR PURPOSE. ANY IMPLIED WARRANTY WHICH BY LAW MAY NOT BE EXCLUDED IS LIMITED TO A DURATION OF ONE (1) YEAR FROM THE DATE OF ORIGINAL RETAIL PURCHASE OF THE PRODUCT. No SAP dealer, agent, or employee is authorized to make any modification, extension or addition to this warranty. SAP SHALL NOT BE LIABLE FOR SPECIAL, INDIRECT, INCIDENTAL OR CONSEQUENTIAL DAMAGES (INCLUDING, BUT NOT LIMITED TO, LOST PROFITS, DOWN TIME OR LOSS OF USE) UNDER ANY LEGAL THEORY, EVEN IF SAP WAS ADVISED OF THE POSSIBILITY OF SUCH DAMAGES. Some states do not allow the exclusion of implied warranties or the exclusion or limitation of liability for incidental or consequential damages, or limitations on how long an implied warranty lasts, so the above limitation or exclusion may not apply to you. This Warranty gives you specific legal rights. You may also have other rights that vary from state to state. SAP reserves the right to change product design without notice. In situations in which SAP has changed a product design, SAP shall have no obligation to upgrade or otherwise modify previously manufactured products. For warranty inquiries contact SAP at:

Smittybilt Automotive Products, LLC

Customer Service Department

Call 1-800-776-0767 or Email [info@smittybilt.com](mailto:info@smittybilt.com)



**WARNING: Cancer and Reproductive Harm**  
[www.P65Warnings.ca.gov](http://www.P65Warnings.ca.gov)



For Technical Support / Warranty Information please call 800-776-0767