



WWW.SMITTYBILT.COM

## Installation Instructions

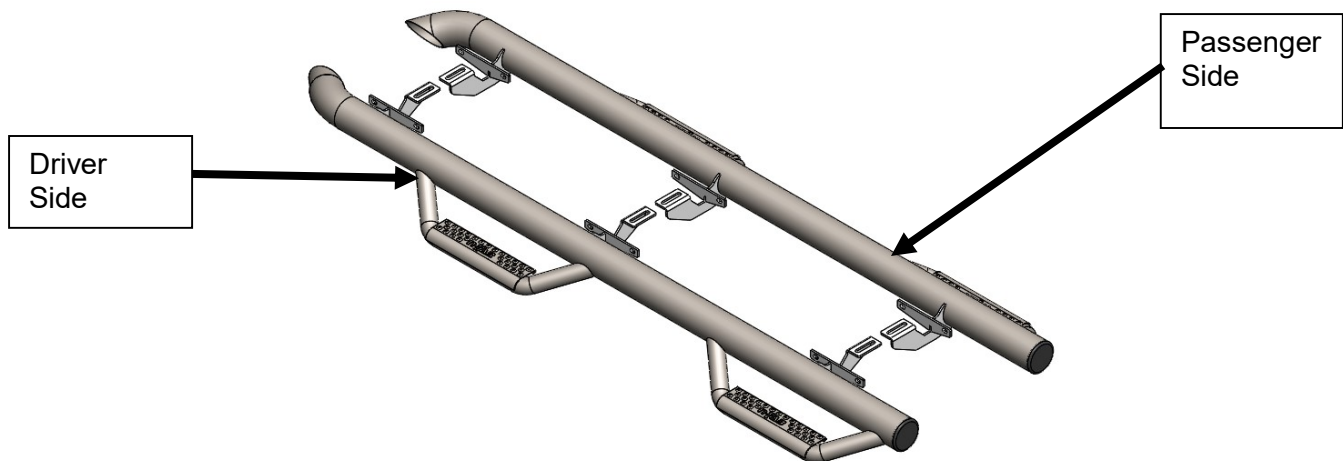
Nerf Step  
Part # J1866, J1866-SS  
2018 JL (4-Door)

Parts Included	Qty
Driver Side Bar	1
Passenger Side Bar	1
8mm Flat Washer	6
8mm Lock Washer	6

Parts Included	Qty
8mm x 35mm Hex Bolt w/washer	6
6mm x 25mm Hex Bolt	12
6mm Nut	12
6mm Flat Washer	12

NOTE: Read instructions entirely before assembling and installing this part.

**Step 1:** Identify the driver and passenger side bars. (Fig A)



(Fig A)

**Step 2:** Remove the OE running boards/rails if equipped.

**Step 3:** Starting with the driver side, carefully raise it up into position and align the brackets with the factory mounting points with the horizontal section of the bracket on the inside of the pinch weld.

**Step 4:** Start one of the included 8x35mm hex bolt with flat and lock washer starting with the center bracket in the factory threaded hole on the bottom of the body. Do not tighten completely. (Fig B)

For Technical Support/Warranty Information please call 310-762-9944

Smittybilt, 400 West Artesia Blvd, Compton, CA 90220

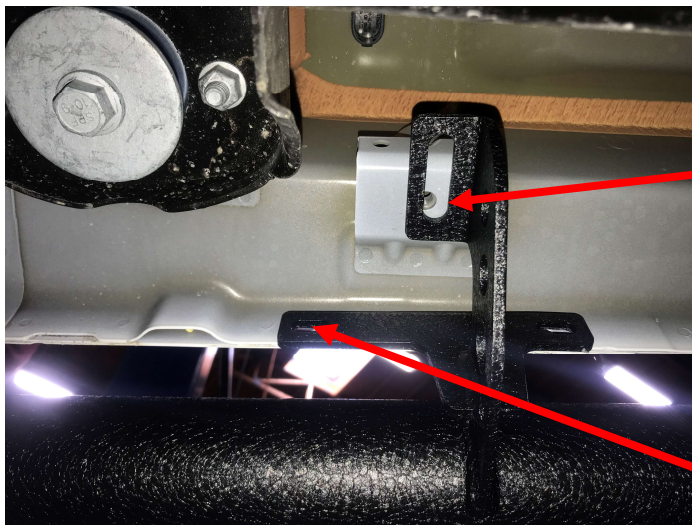


WWW.SMITTYBILT.COM

## Installation Instructions

Nerf Step  
Part # J1866, J1866-SS  
2018 JL (4-Door)

**Step 5:** Install two of the 6x25mm hex bolts/flat washers along with two 6mm nuts into the step bracket and through the pinch weld. Do not fully tighten at this time. (Fig B)



(Fig B)

Step 4:-8x35mm Bolt  
with flat and lock  
washer

Step 5:-6x25mm Bolt  
with flat washer on  
each side and nut

**Step 6:** Install the same hardware in the same matter for the front and rear brackets. Do not tighten completely.

**Step 7:** Hold the nerf-step so it is level/even with the body of the vehicle.

**Step 8:** Securely tighten all of the hardware that attaches the bracket to the pinch weld. (Fig C)

**Step 9:** Now securely tighten the 3 bolts holding the brackets to the bottom of the body tub. (Fig D)

**Step 10:** Installation is now complete. (Fig E) Repeat same steps for opposite side

For Technical Support/Warranty Information please call 310-762-9944

Smittybilt, 400 West Artesia Blvd, Compton, CA 90220



WWW.SMITTYBILT.COM

## Installation Instructions

Nerf Step

Part # J1866, J1866-SS

2018 JL (4-Door)



(Fig C)



(Fig D)



(Fig E)

### Limited Warranties

Smittybilt's products are covered under the following limited warranties only. Note that the duration of the limited warranty differs according to the material and finish of the product purchased. Subject to the duration and conditions of the limited warranty stated below, Smittybilt warrants to the original retail purchaser that its products are free from defects in material and workmanship. All other warranties and representations express or implied, are hereby disclaimed, including fitness for merchantability and buyer's intended use or purpose. All parts are sold "AS IS" except for the limited warranties granted herein. Buyer assumes all risks as to the selection, suitability and performance of all goods and products selected. This limited warranty does not cover damage or impairment in any part due to misuse, improper installation, accident or contact with on-road or off-road hazards, product modification, improper or inadequate cleaning and/or maintenance. Smittybilt is not responsible for items damaged during shipping. This warranty is not transferable from the original buyer. For the original Buyer to be eligible for the limited warranty coverage, the Buyer must provide proof of purchase. Smittybilt strongly recommends returning the warranty registration card.

Customer's remedy hereunder shall be limited only to repair or replacement (at Smittybilt's option) of any defective part(s) returned to Smittybilt at customer's expense. The determination of whether or not a returned part is defective or subject to coverage under the limited warranties stated herein shall be made at Smittybilt's sole discretion.

To assure product quality, Smittybilt reserves the right to change product design, material, specification and finishes without prior notice to customers. This limited warranty gives you specific legal rights and you may also have other rights, which may vary from state to state. Some states do not allow limitations on how long an implied warranty lasts, so the above limitations may not apply as to you. Also, some states do not allow the exclusion or limitation of incidental or consequential damages, so the above limitations or exclusions may not apply to you. Smittybilt reserves the right to discontinue product lines and substitute products, or provide other remedies than those listed in this limited warranty for those discontinued products.

### Warning

Rollover and other types of vehicle accidents may result in serious injury or death to you, your passengers and others sharing the road. Smittybilt accessories are decorative and are not intended to reduce or avoid injury or damage in the event of an accident. The weight and location of Smittybilt accessories may affect your vehicles' handling, stability and performance, creating an increased risk of accident or rollover. Before installing any accessory, check state laws and assure that the accessory will not obscure any lights or interfere with proper operation on your vehicle's safety equipment. Consult your owner's manual and the Smittybilt instructions, or additional safety information. Smittybilt products, nor the warnings contained herein, are not a substitute for your safe driving. Don't drink and drive, always use seat belts and don't drive faster than conditions permit.

**For Technical Support/Warranty Information please call 310-762-9944**

**Smittybilt, 400 West Artesia Blvd, Compton, CA 90220**