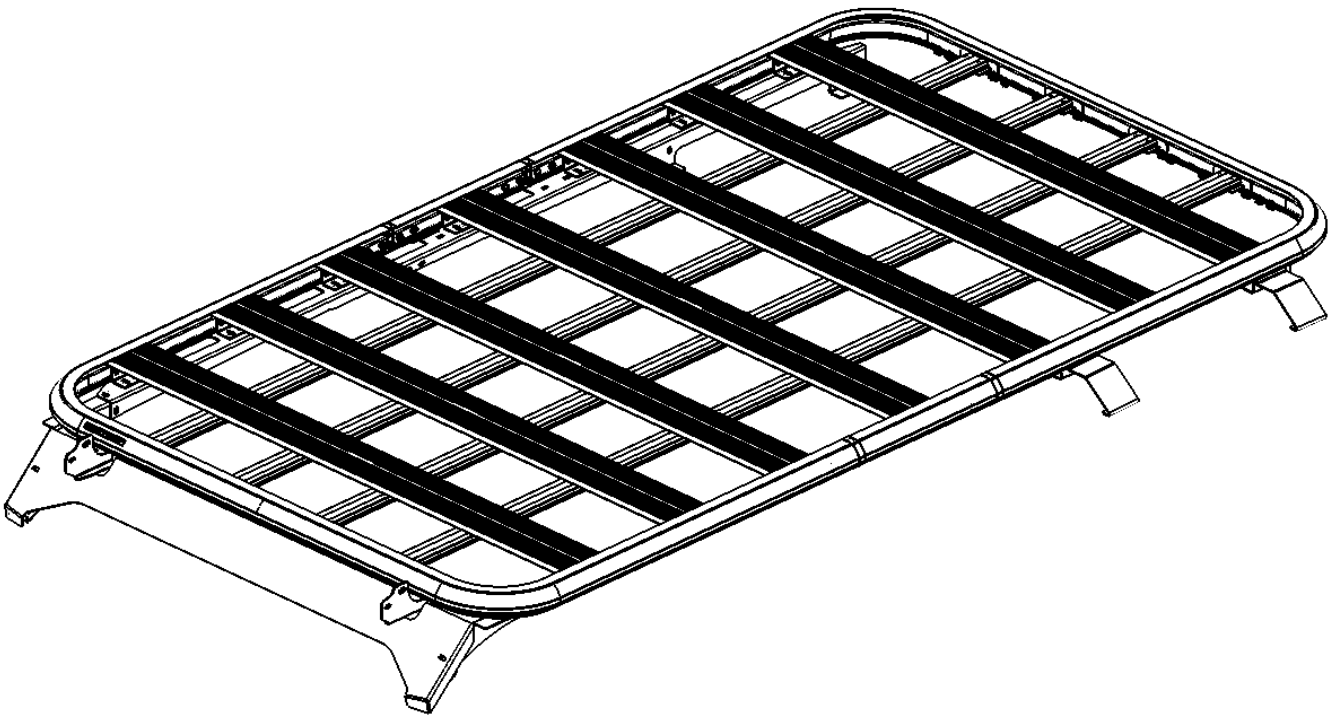


Installation Instructions



Ford Bronco® 4 Door Defender Platform Mounting Kit Part # S/BF01



For Technical Support / Warranty Information please call 800-776-0767

Smittybilt, 400 W Artesia, Compton, CA 90220

Introduction

Thank you for choosing Smittybilt accessories for your Ford Bronco®. If you would like to view our full range of available accessories, please visit us at www.smittybilt.com



Ford®, Bronco®. are registered trademarks of Ford Motor Company.

Important Notes Before Starting

! IMPORTANT NOTE

Carefully read through this entire instruction manual thoroughly before attempting to install this part.

! WARNING

Serious injury can occur when working on vehicles alone.

When possible, work with another person to reduce risk of injury from strain or other dangers that can occur when working alone.

The following tools will be required to complete the installation of this part:

TOOLS REQUIRED

Torque wrench	Ratchet	4mm Hex key
4mm hex bit socket	10mm socket	10mm wrench
Snipers		

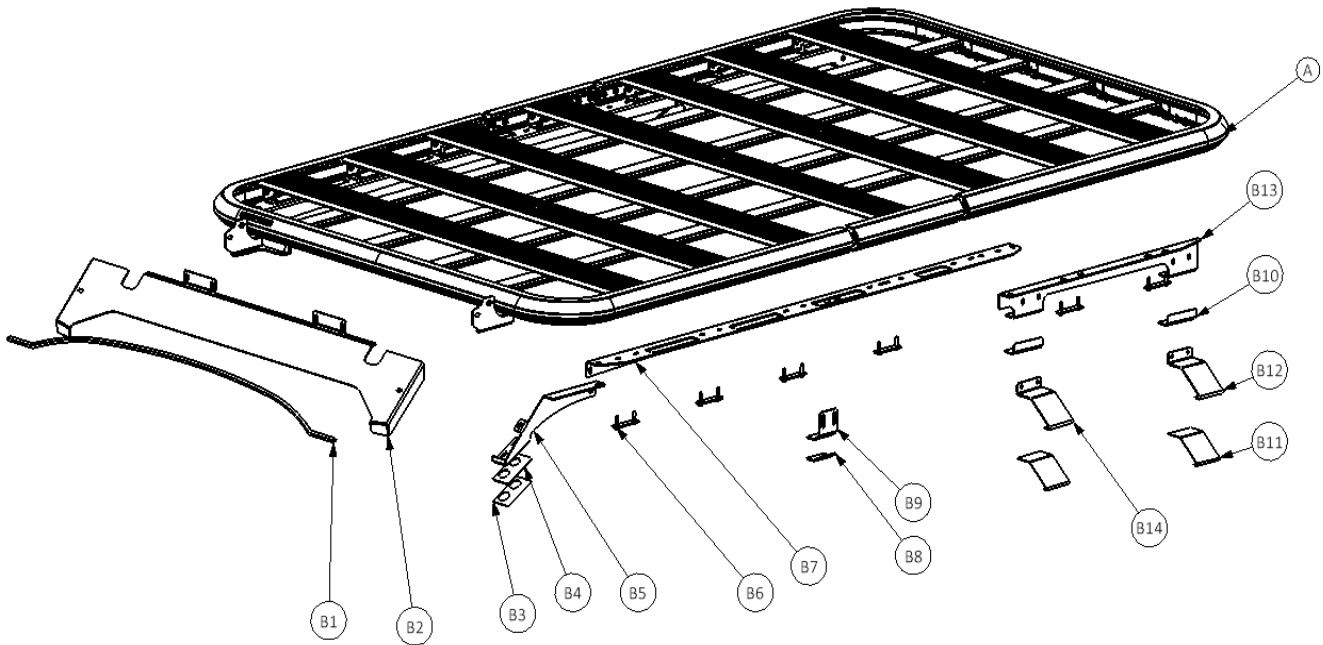


For Technical Support / Warranty Information please call 800-776-0767 EXT 1317

Smittybilt, 400 W Artesia, Compton, CA 90220

Box Contents

Box Contents



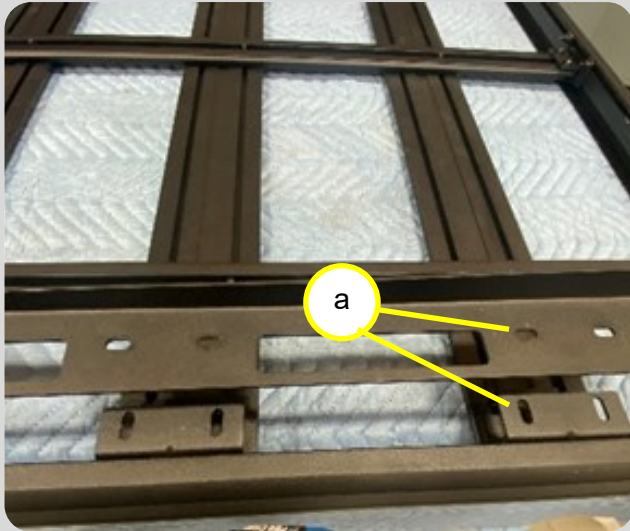
ID #	Description	QTY
A	Roof rack platform	1
B1	Trim	1
B2	Wind deflector	1
B3	Front mounting bracket shim foam pad	2
B4	Front mounting bracket shim	2
B5	Front mounting bracket	2
B6	M6 bolt plate	12
B7	Middle mounting bracket	2
B8	Middle support bracket foam pad	2
B9	Middle support bracket	2
B10	Rear mounting bracket foam pad	2
B11	Rear mounting bracket clamp foam pad	2
B12	Rear mounting bracket clamp	2
B13	Rear mounting bracket	2
B14	Rear mounting bracket clamp (large)	2



For Technical Support / Warranty Information please call 800-776-0767 EXT 1317
Smittybilt, 400 W Artesia, Compton, CA 90220

Installation Instructions

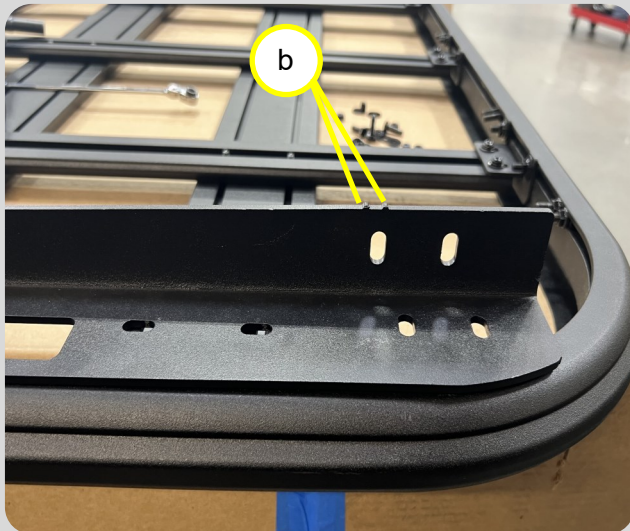
Step 1:



Install the middle roof platform mounting bracket to the roof platform by aligning the slots of the bracket to the mounting slots of the platform. (a)

The small crest on the end of the bracket goes toward the front (b)

Secure them with M6 bolt plates M6 nylock and M6 flat washers. Leave them loose for now. (c)



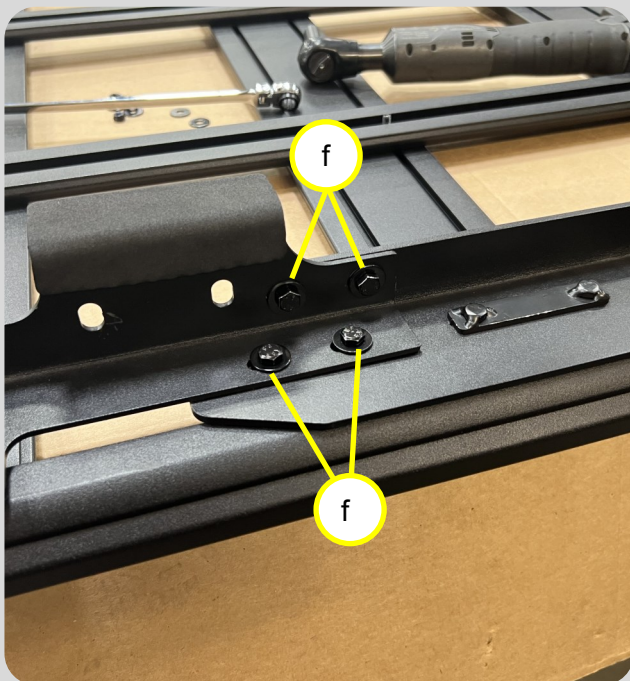
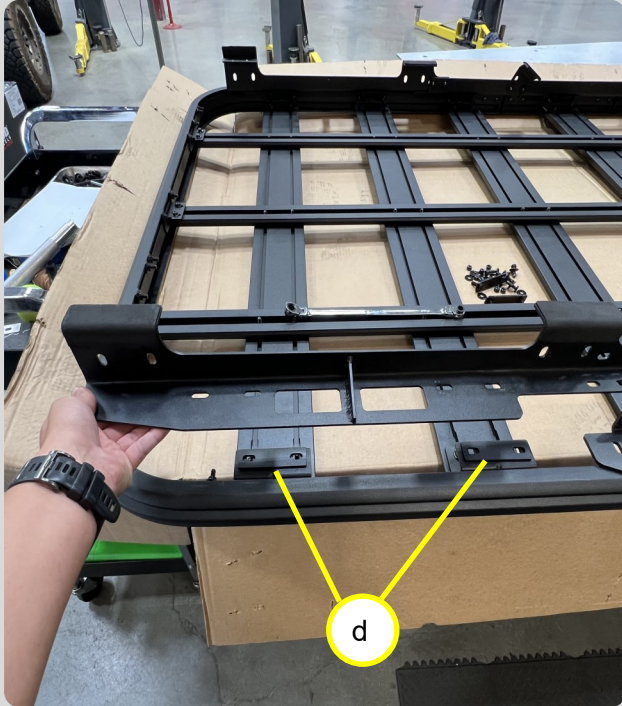
For Technical Support / Warranty Information please call 800-776-0767 EXT 1317
Smittybilt, 400 W Artesia, Compton, CA 90220

Installation Instructions

Step 2:

Install the rear mounting bracket to roof platform using a 1/8 shim between roof platform and rear mounting bracket. (d)

Secure using (4) M6 x 20mm bolts, (6) M6 nylock nuts, (8) M6 flat washers and M6 bolt plate. (f)
Leave them loose for now.



For Technical Support / Warranty Information please call 800-776-0767 EXT 1317
Smittybilt, 400 W Artesia, Compton, CA 90220

Installation Instructions



Step 3:

Install the mounting bracket support facing inwards to the middle mounting bracket.

Secure the brackets Using (2) M6 x20mm bolts, (4) M6 flat washers and (2) M6 nylock nuts.

Step 4:

Repeat step 1 to 3 on the opposite side of the roof platform.

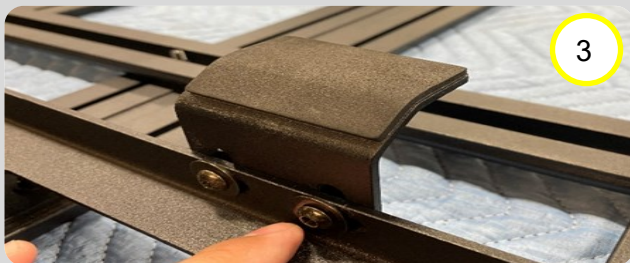


Step 5:

Install foam pad to the following brackets.



1. Rear mounting bracket
2. Rear mounting bracket clamp
3. Middle support bracket
4. Front mounting bracket shim



For Technical Support / Warranty Information please call 800-776-0767 EXT 1317
Smittybilt, 400 W Artesia, Compton, CA 90220

Installation Instructions



Step 6:

Remove the (2) front accessories plastic covers located above the windshield. Press the black tab on top of the plastic cover and pull the cover outwards.



Step 7:

Using a 10mm socket remove (2) M6 nuts from the plastic bracket. (save hardware for reuse).



Remove the plastic bracket and install the front bracket mount shim. (foam pad facing down)



For Technical Support / Warranty Information please call 800-776-0767 EXT 1317
Smittybilt, 400 W Artesia, Compton, CA 90220

Installation Instructions:

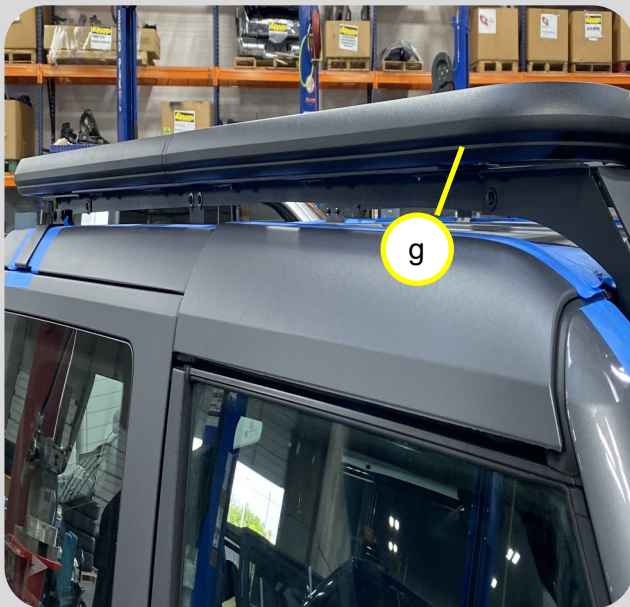


Step 8:

Install front mounting bracket to the accessories mounting point using OEM M6 nuts previously remove on step 7.

Leave them loose for now.

Repeat step on the remaining side.



Step 9:

With the help of another person install the roof platform on top of vehicle roof.

Secure the roof platform mounting bracket to the front mounting bracket using (8) M6 x 20mm bolts, (16) M6 flat washers and (8) M6 nylock nuts. (g)

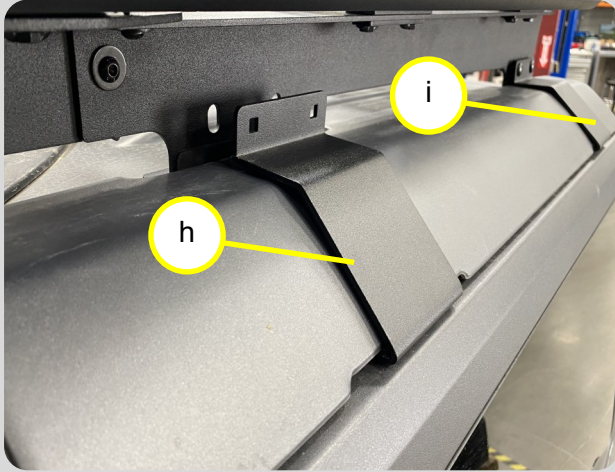
Step 10:

Square the roof platform and tight al the M6 hardware.



For Technical Support / Warranty Information please call 800-776-0767 EXT 1317
Smittybilt, 400 W Artesia, Compton, CA 90220

Installation Instructions



Step 11:

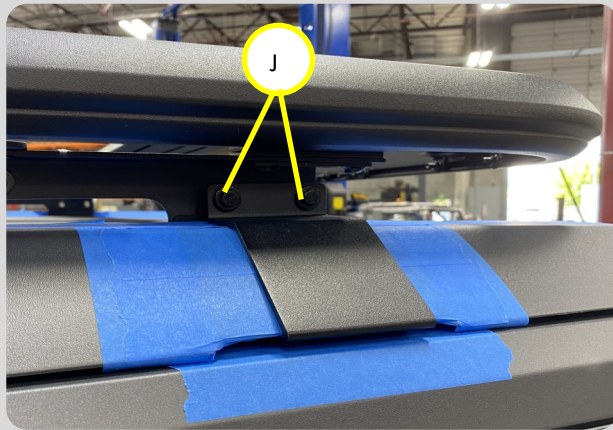
Install the rear mounting bracket clamps to the rear mounting bracket. Insert the bottom lip of the clamp to the opening on the roof.

Note:

The large clamp goes towards the front of the vehicle.

(h) large clamp

(I) small clamp



Secure the rear mounting bracket clamp to the rear mounting bracket using (2) M6 carriage bolts (2) M6 flat washers and (2) nylock nuts. (J)



Step 12:

Remove the M6 nuts from the front inner section of the roof platform.

Install the wind deflector to the front of the roof platform by sliding the top of the wind deflector to the lower inner section of the platform and secure them with the t bolt and nuts from platform inner section.



For Technical Support / Warranty Information please call 800-776-0767 EXT 1317
Smittybilt, 400 W Artesia, Compton, CA 90220

Installation Instructions:



Step 13:

Secure the front of wind deflector to the front mounting brackets. Use (2) M6 x 20mm bolts, (4) M6 flat washers and (2) M6 nylock nuts to secure the front section of the wind deflector to the front mounting brackets.



Step 14: (optional)

Install the LED light brackets to roof platform.

Insert the light bracket from the back of the wind deflector and secure the bracket to platform inner section using the T bolts and nuts. Snug tight for now.



Install your 30-inch LED light bar to light brackets using the hardware provided with the light. center your LED light bar and tight the light bar mounting brackets



For Technical Support / Warranty Information please call 800-776-0767 EXT 1317
Smittybilt, 400 W Artesia, Compton, CA 90220

Installation Instructions:



Step 15: (optional)

Install the pod light brackets over wind deflector mount. place the bracket with the light mount facing up.

! IMPORTANT NOTE

Note: Torque all hardware to spec refer to torque chart on page # 13

Your installation is now complete.

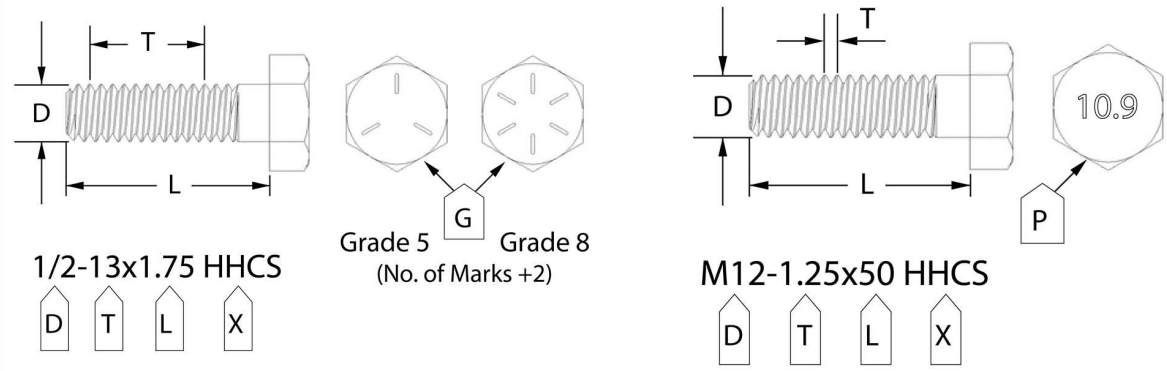


For Technical Support / Warranty Information please call 800-776-0767 EXT 1317
Smittybilt, 400 W Artesia, Compton, CA 90220

Bolt Torque Specifications

Use this only as a guide for hardware without a called out torque specification in the instruction manual.

Bolt Torque and ID						
Decimal System			Metric System			
<i>All Torques in Ft. Lbs. Maximums</i>						
Bolt Size	Grade 5	Grade 8	Bolt Size	Class 9.8	Class 10.9	Class 12.9
5/16	15	20	M6	5	9	12
3/8	30	45	M8	18	23	27
7/16	45	60	M10	32	45	50
1/2	65	90	M12	55	75	90
9/16	95	130	M14	85	120	145
5/8	135	175	M16	130	165	210
3/4	185	280	M18	170	240	290



<p>G= Grade (Bolt Strength)</p> <p>D= Nominal Diameter (Inches)</p> <p>T= Thread Count (Threads per Inch)</p> <p>L= Length (Inches)</p> <p>X= Description (Hex Head Cap Screw)</p>	<p>P= Property Class (Bolt Strength)</p> <p>D= Nominal Diameter (Millimeters)</p> <p>T= Thread Pitch (Thread Width, mm)</p> <p>L= Length (Millimeters)</p> <p>X= Description (Hex Head Cap Screw)</p>
--	---



For Technical Support / Warranty Information please call 800-776-0767 EXT 1317
Smittybilt, 400 W Artesia, Compton, CA 90220

Notes and Disclaimers

Product cleaning and maintenance instructions

Stainless Steel Finish – Aluminum polish may be used to polish small scratches and scuffs on the finish. Mild soap, window or glass cleaner may be used to clean the finish. Dual state powder coat finish – Mild soap, window or glass cleaner may be used to clean the finish. In order to protect the finish, you may wax your product on a regular basis with pure carnauba automotive wax. Do not use any types of soap, polish or wax that contains abrasive that could damage the finish. Textured coated finishes should be cleaned with a mild soap on a damp sponge. Do not apply polish or wax that requires to be removed by means of buffing. This type of wax is commonly used at car wash facilities. Chrome Finish – Mild soap, window or glass cleaner may be used to clean the finish. In order to protect the finish, you should wax your product on a regular basis with pure carnauba automotive wax. Do not use any types of soap, polish or wax that contains abrasive that could damage the finish.

SMITTYBILT ADVANTAGE WARRANTY

LIMITED-LIFETIME WARRANTY FOR STRUCTURAL COMPONENTS

5-YEAR FINISH WARRANTY

Smittybilt Automotive Products, LLC (SAP) warrants to the original purchaser that (a) the physical components (e.g., metal components, welds, etc.) of any SAP **Ford Bronco® Defender Platform Mounting Kit** will be free of defects in material and workmanship for the lifetime of the product from the date of purchase of the Defender Rack Mounting Kit, and (b) the finish will be free of defects in material and workmanship for a period of 5-years from the original date of purchase. This warranty applies only to the original purchaser of the Defender Rack Mounting Kit and is non-transferable. To obtain any warranty service, you must provide SAP with a proof of purchase and date of purchase that is acceptable to SAP, such as a copy of your purchase receipt.

This warranty does not cover labor of part replacement of the Defender Rack Mounting Kit. SAP will, at its sole discretion, provide replacement part(s) for a defective Defender Rack Mounting Kit or component, provided this is done within the warranty period. To request assistance under warranty, one must call or email using the phone number or email at the bottom of this page. This warranty does not apply (1) wearable components; or (2) if the Defender Rack Mounting Kit has been damaged, including, but not limited to: abuse, misuse, collision, modification, misapplication, improper installation, or improper service. This warranty is void if any SAP serial number has been removed or defaced; or if the Defender Rack Mounting Kit is used for any commercial, industrial, or rental applications. This warranty only applies to Defender Rack Mounting Kit bought, sold, and used within the United States or Canada unless otherwise specifically agreed in writing by SAP.

THE WARRANTY SET FORTH ABOVE IS THE ONLY WARRANTY. THERE ARE NO OTHER WARRANTIES, EXPRESSED OR IMPLIED, INCLUDING BUT NOT LIMITED TO IMPLIED WARRANTIES OF MERCHANTABILITY OR FITNESS FOR A PARTICULAR PURPOSE. ANY IMPLIED WARRANTY WHICH BY LAW MAY NOT BE EXCLUDED IS LIMITED TO A DURATION OF ONE (1) YEAR FROM THE DATE OF ORIGINAL RETAIL PURCHASE OF THE PRODUCT. No SAP dealer, agent, or employee is authorized to make any modification, extension or addition to this warranty. SAP SHALL NOT BE LIABLE FOR SPECIAL, INDIRECT, INCIDENTAL OR CONSEQUENTIAL DAMAGES (INCLUDING, BUT NOT LIMITED TO, LOST PROFITS, DOWN TIME OR LOSS OF USE) UNDER ANY LEGAL THEORY, EVEN IF SAP WAS ADVISED OF THE POSSIBILITY OF SUCH DAMAGES. Some states do not allow the exclusion of implied warranties or the exclusion or limitation of liability for incidental or consequential damages, or limitations on how long an implied warranty lasts, so the above limitation or exclusion may not apply to you. This Warranty gives you specific legal rights. You may also have other rights that vary from state to state. SAP reserves the right to change product design without notice. In situations in which SAP has changed a product design, SAP shall have no obligation to upgrade or otherwise modify previously manufactured products. For warranty inquiries contact SAP at:

Smittybilt Automotive Products, LLC

Customer Service Department

Call 1-800-776-0767 or Email info@smittybilt.com



WARNING: Cancer and Reproductive Harm
www.P65Warnings.ca.gov



For Technical Support / Warranty Information please call 800-776-0767 EXT 1317
Smittybilt, 400 W Artesia, Compton, CA 90220