

Installation Instructions



Ford Bronco 2021+ (2dr / 4dr)
Apollo Steps S/B78733 / S/B78734



For Technical Support / Warranty Information please call 800-776-0767 EXT 1317
Smittybilt, 400 W Artesia, Compton, CA 90220

Important Notes Before Starting



IMPORTANT NOTE

Carefully read through this entire instruction manual thoroughly before attempting to install this part.



WARNING

Serious injury can occur when working on vehicles alone.

When possible, work with another person to reduce risk of injury from strain or other dangers that can occur when working alone.

The following tools will be required to complete the installation of this part:

TOOLS REQUIRED

Metric Socket Set

Metric Wrench Set

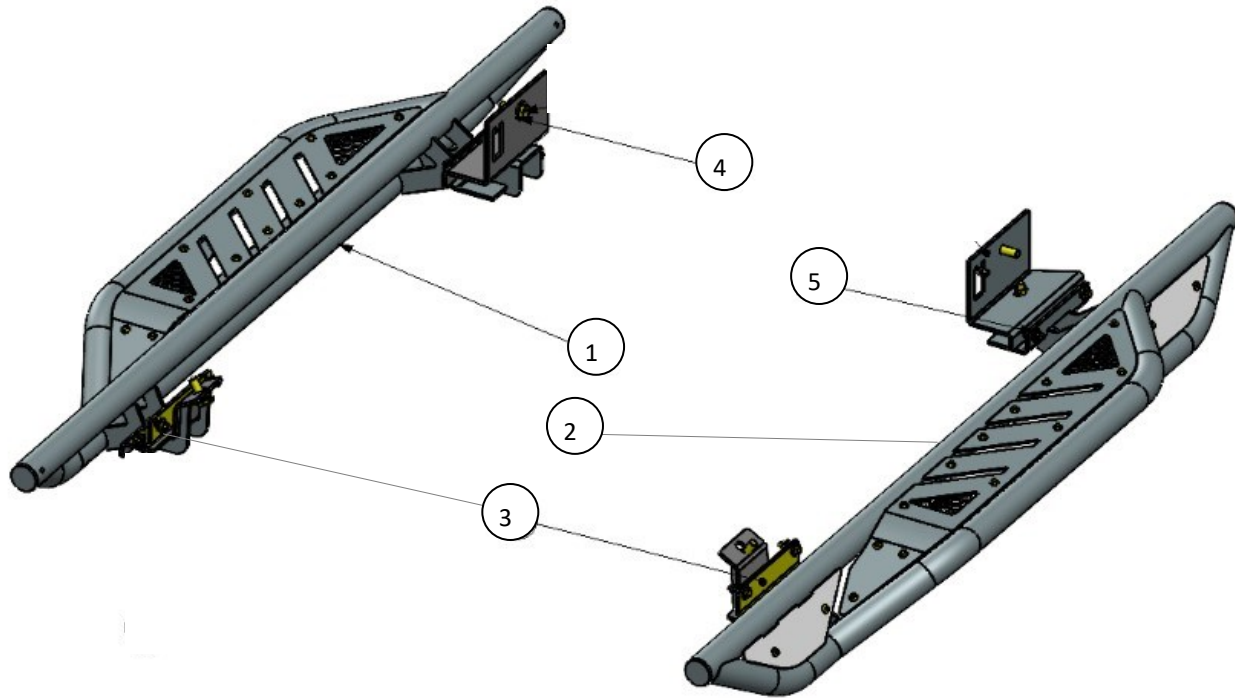
Torque Wrench

Thank you for choosing Smittybilt accessories for your vehicle. If you would like to view our full range of available accessories, please visit us at www.4wheelparts.com



For Technical Support / Warranty Information please call 800-776-0767 EXT 1317
Smittybilt, 400 W Artesia, Compton, CA 90220

Box Contents & Technical Information



SB78733 Running Board Assembly

| BUBBLE | DESCRIPTION | QTY |
|--------|-------------------------|-----|
| 1 | 2dr Apollo step Right | 1 |
| 2 | 2dr Apollo step Left | 1 |
| 3 | Front Support Bracket | 2 |
| 4 | Mid Mount Bracket Right | 1 |
| 5 | Mid Mount Bracket Left | 1 |

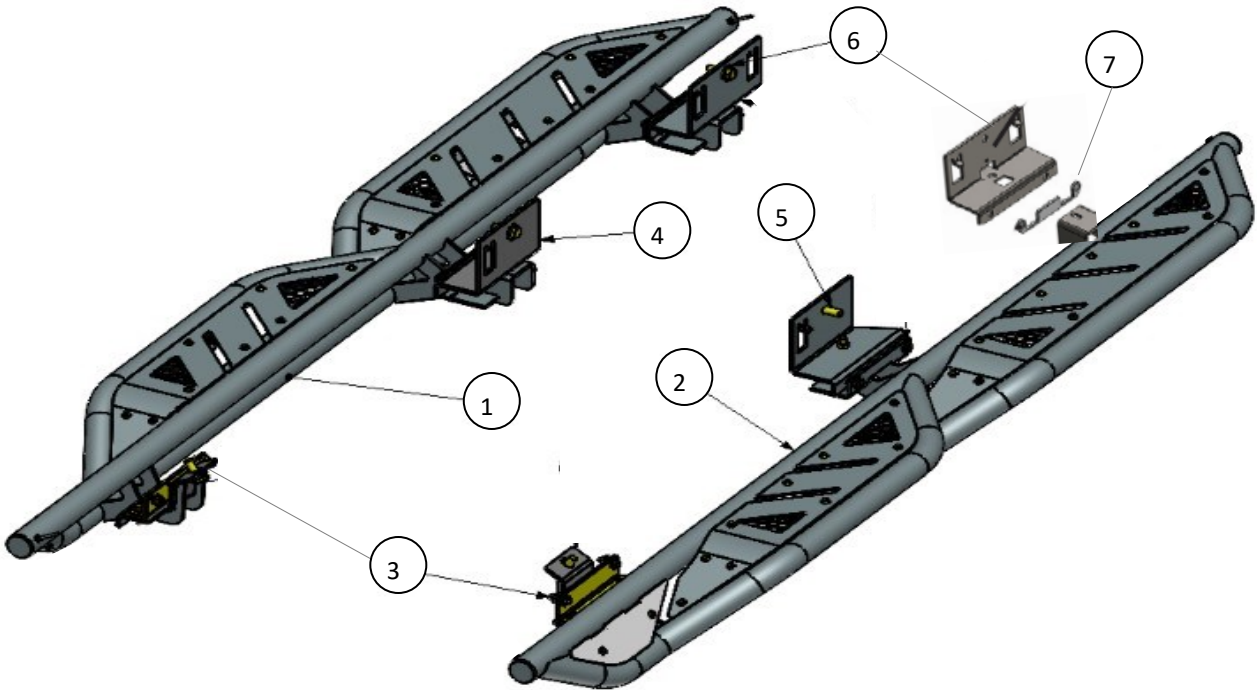
Hardware Pack

| DESCRIPTION | QTY |
|---------------------|-----|
| M6 x 1.0 x 25 Bolt | 8 |
| M6 x 1.0 x 35 Bolt | 8 |
| M6 x 1.0 Locknut | 16 |
| M6 Flat Washer | 32 |
| M8 x 1.25 x 20 Bolt | 2 |
| M8 Flat Washer | 2 |
| M10 x 1.5 x 30 Bolt | 2 |
| M10 Flat Washer | 2 |



For Technical Support / Warranty Information please call 800-776-0767 EXT 1317
Smittybilt, 400 W Artesia, Compton, CA 90220

Box Contents & Technical Information



SB78734 Apollo step Assembly

| BUBBLE | DESCRIPTION | QTY |
|--------|-------------------------|-----|
| 1 | 4dr Apollo step Right | 1 |
| 2 | 4dr Apollo step Left | 1 |
| 3 | Front Support Bracket | 2 |
| 4 | Mid Mount Bracket Right | 1 |
| 5 | Mid Mount Bracket Left | 1 |
| 6 | Rear Mount Brackets | 2 |
| 7 | Rear mount spacer | 2 |

Hardware Pack

| DESCRIPTION | QTY |
|---------------------|-----|
| M6 x 1.0 x 25 Bolt | 8 |
| M6 x 1.0 x 35 Bolt | 12 |
| M6 x 1.0 Locknut | 20 |
| M6 Flat Washer | 40 |
| M8 x 1.25 x 20 Bolt | 4 |
| M8 Flat Washer | 4 |
| M10 x 1.5 x 30 Bolt | 4 |
| M10 Flat Washer | 4 |



For Technical Support / Warranty Information please call 800-776-0767 EXT 1317
Smittybilt, 400 W Artesia, Compton, CA 90220

Installation Instructions: Mechanical Installation

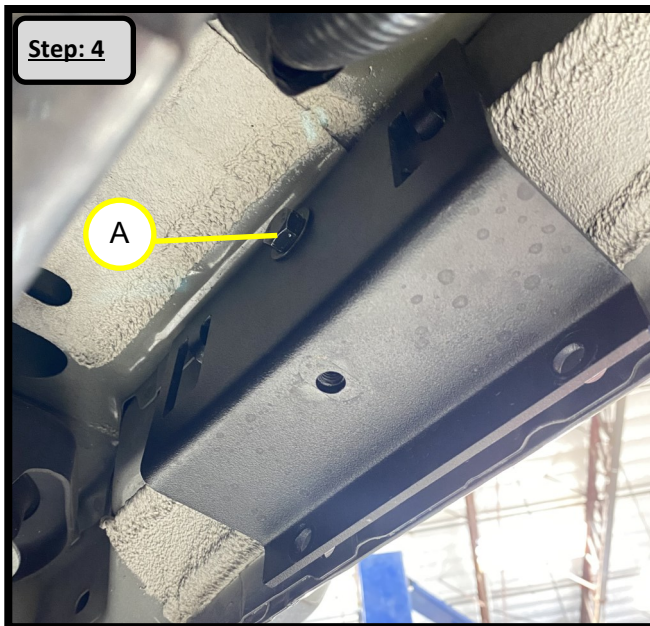
Step 1: Check box contents

Open the box containing your Ford Bronco Steps, check all parts against the Bill of Materials outlined in the first pages of these instructions.

If anything is missing, contact Smittybilt Technical Support immediately.

Step 2: Remove OE Side Steps

If your vehicle is equipped with OE Side Steps, refer to your owner's manual for correct removal procedure.



Step 4: Install Rear mount Brackets (4 door models only)

Locate and install **Rear Mount Bracket** under the rear door (these aren't side specific). Make sure the alignment tabs are inserted in the body panel holes. With an **M10X30mm bolt and M10 oversized washer (Fig A.)**, hand tighten for now. Repeat this process for the opposite side of the vehicle.

Step 5: Install Mid Mount Brackets (2 door and 4 door models)

Locate install (**Mid Mount Bracket Left**) to driver side under the vehicle, 2 door application this will be the rear.

NOTE: The alignment tab (**Fig B.**) faces the front of the vehicle

Secure with **M10X30mm bolt and M10 washer.** hand tighten for now.

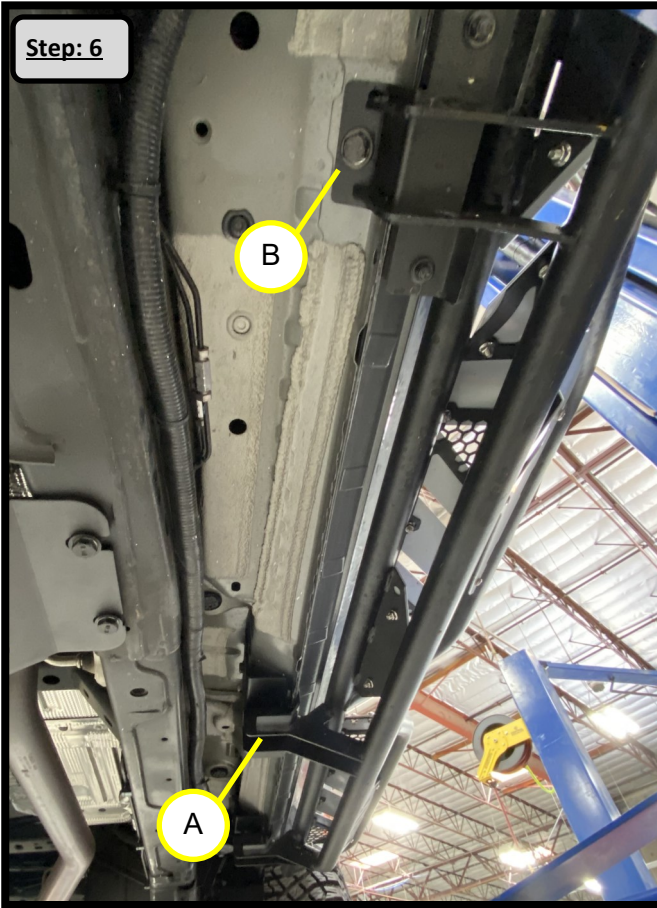
Repeat this on passenger side with (**Mid Mount Bracket Right**).



For Technical Support / Warranty Information please call 800-776-0767 EXT 1317
Smittybilt, 400 W Artesia, Compton, CA 90220

Installation Instructions: Mechanical Installation

Step: 6



Step 6: Installing the steps Drv & Pass (2 door and 4 door)

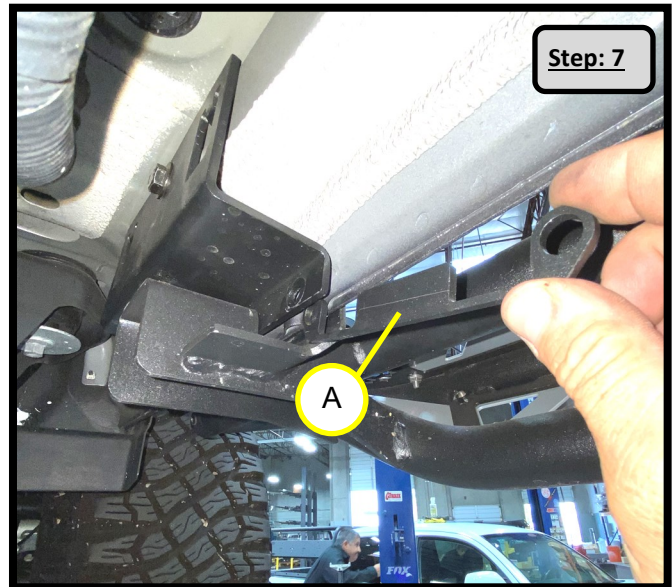
NOTE: It is advised that you have an extra set of hands for the next few steps!

Starting on either side, locate the corresponding step and carefully raise it into position against the outside of the pinch weld and up to the bracket mounts. Using a supplied **M8 bolt** and **Flat washer**, secure the step to the **Mid Mount Bracket (Fig A.)** 2 door models, this is the rear. Next, secure the front mount to the threaded OE mounting hole with supplied **M10 bolt** and **Flat washer (Fig B.)**. 4 door models secure the rear with an **M8 Bolt** and **Flat Washer**, tighten hardware just finger tight so there is room for adjustment.

Repeat process on opposite side.

Step 7: Installing Rear Mount Spacers (For 4 Door Only)

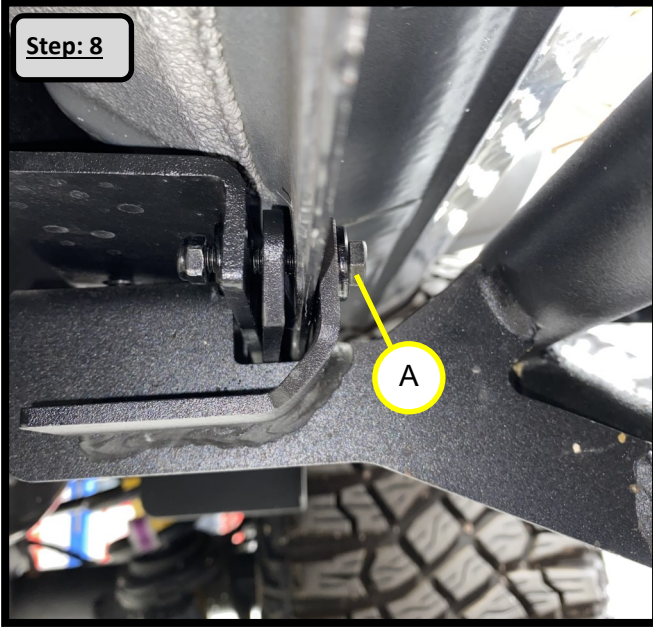
Install **Rear Mount Spacer (Fig A.)** between **Rear Bracket Mount** and inside of the OE pinch weld with spacer facing as shown to protect the OE drain holes.



For Technical Support / Warranty Information please call 800-776-0767 EXT 1317
Smittybilt, 400 W Artesia, Compton, CA 90220

Installation Instructions: Mechanical Installation

Step: 8



Step 8: Installing Rear Hardware (2 door and 4 door)

In the rear (and middle, 4 door), install **M6X35mm bolts, 6mm washers, M6 Locknuts** through brackets and pinch weld (**Fig A.**)

Hand tighten for now. Repeat this on opposite side.

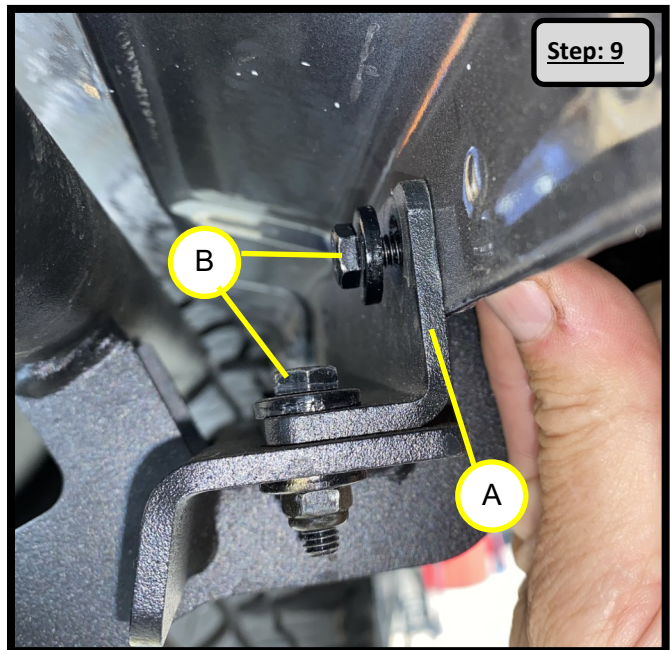
Step 9: Installing Front Hardware (2 door and 4 door)

Locate **Front Support Brackets (Fig A.)**

With the longer leg against the pinch weld, install on top of the front mount and secure using **M6X25mm bolts, 6mm washers, M6 Locknuts** as shown (**Fig B.**)

Hand tighten for now. Repeat this on opposite side.

Step: 9



For Technical Support / Warranty Information please call 800-776-0767 EXT 1317
Smittybilt, 400 W Artesia, Compton, CA 90220

Installation Instructions: Torquing The Hardware

Step 10: Completing the Installation

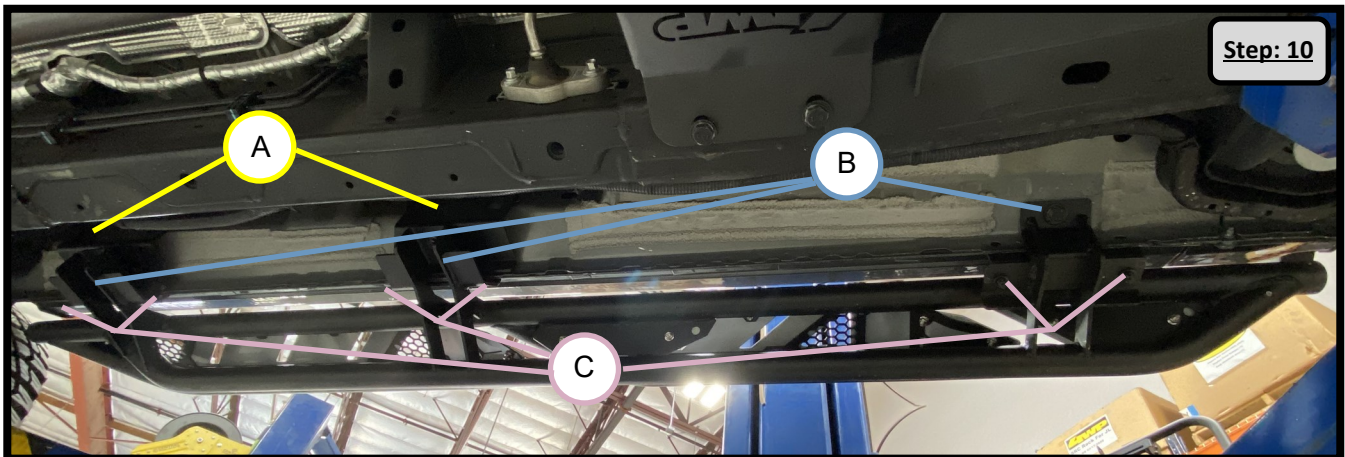
Now that all the hardware has been installed. Starting on either side, inspect and adjust the step to make sure all the brackets and hardware are aligned and there isn't anything bound up.

(Fig A.) Tighten the **M10 hardware** from **Steps 4 & 5** and torque to **45ft.lbs.**

(Fig B.) Tighten the **M8 & M10 hardware** from **Steps 6**. Torque the **M8 hardware** to **20ft.lbs.** and the **M10 hardware** to **45ft.lbs.**

(Fig C.) Tighten and torque the remaining **M6 hardware** to **8ft.lbs.**

Repeat this process on the opposite side. Your install is complete.

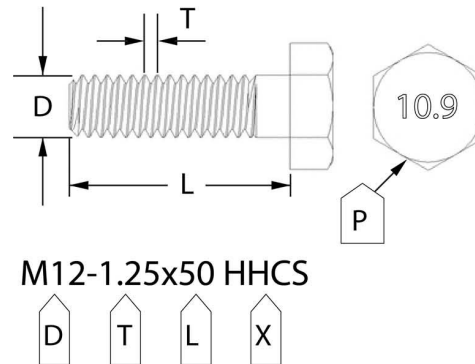
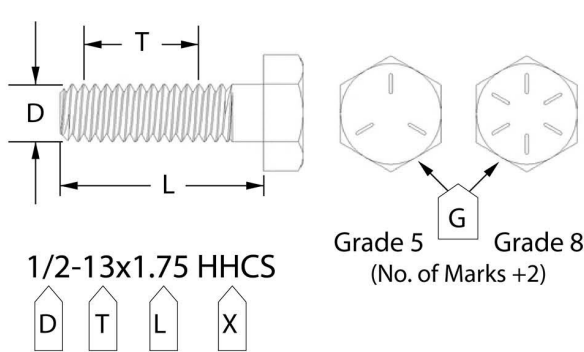


For Technical Support / Warranty Information please call 800-776-0767 EXT 1317
Smittybilt, 400 W Artesia, Compton, CA 90220

Bolt Torque Specifications

Use this only as a guide for hardware without a called out torque specification in the instruction manual.

| Bolt Torque and ID | | | | | | |
|---|---------|---------|---------------|-----------|------------|------------|
| Decimal System | | | Metric System | | | |
| <i>All Torques in Ft. Lbs. Maximums</i> | | | | | | |
| Bolt Size | Grade 5 | Grade 8 | Bolt Size | Class 9.8 | Class 10.9 | Class 12.9 |
| 5/16 | 15 | 20 | M6 | 5 | 9 | 12 |
| 3/8 | 30 | 45 | M8 | 18 | 23 | 27 |
| 7/16 | 45 | 60 | M10 | 32 | 45 | 50 |
| 1/2 | 65 | 90 | M12 | 55 | 75 | 90 |
| 9/16 | 95 | 130 | M14 | 85 | 120 | 145 |
| 5/8 | 135 | 175 | M16 | 130 | 165 | 210 |
| 3/4 | 185 | 280 | M18 | 170 | 240 | 290 |



G= Grade (Bolt Strength)
 D= Nominal Diameter (Inches)
 T= Thread Count (Threads per Inch)
 L= Length (Inches)
 X= Description (Hex Head Cap Screw)

P= Property Class (Bolt Strength)
 D= Nominal Diameter (Millimeters)
 T= Thread Pitch (Thread Width, mm)
 L= Length (Millimeters)
 X= Description (Hex Head Cap Screw)



For Technical Support / Warranty Information please call 800-776-0767 EXT 1317
 Smittybilt, 400 W Artesia, Compton, CA 90220

Notes and Disclaimers

Product cleaning and maintenance instructions

Stainless Steel Finish – Aluminum polish may be used to polish small scratches and scuffs on the finish. Mild soap, window or glass cleaner may be used to clean the finish. Dual state powder coat finish – Mild soap, window or glass cleaner may be used to clean the finish. In order to protect the finish, you may wax your product on a regular basis with pure carnauba automotive wax. Do not use any types of soap, polish or wax that contains abrasive that could damage the finish. Textured coated finishes should be cleaned with a mild soap on a damp sponge. Do not apply polish or wax that requires to be removed by means of buffing. This type of wax is commonly used at car wash facilities. Chrome Finish – Mild soap, window or glass cleaner may be used to clean the finish. In order to protect the finish, you should wax your product on a regular basis with pure carnauba automotive wax. Do not use any types of soap, polish or wax that contains abrasive that could damage the finish.

Limited Warranties

Smittybilt's products are covered under the following limited warranties only. Note that the duration of the limited warranty differs according to the material and finish of the product purchased. Subject to the duration and conditions of the limited warranty stated below, Smittybilt warrants to the original retail purchaser that its products are free from defects in material and workmanship. All other warranties and representations express or implied, are hereby disclaimed, including fitness for merchantability and buyer's intended use or purpose. All parts are sold "AS IS" except for the limited warranties granted herein. Buyer assumes all risks as to the selection, suitability and performance of all goods and products selected. This limited warranty does not cover damage or impairment in any part due to misuse, improper installation, accident or contact with on-road or off-road hazards, product modification, improper or inadequate cleaning and/or maintenance. Smittybilt is not responsible for items damaged during shipping. This warranty is not transferable from the original buyer. For the original Buyer to be eligible for the limited warranty coverage, the Buyer must provide proof of purchase. Smittybilt strongly recommends returning the warranty registration card. Customer's remedy hereunder shall be limited only to repair or replacement (at Smittybilt's option) of any defective part(s) returned to Smittybilt at customer's expense. The determination of whether or not a returned part is defective or subject to coverage under the limited warranties stated herein shall be made at Smittybilt's sole discretion. To assure product quality, Smittybilt reserves the right to change product design, material, specification and finishes without prior notice to customers. This limited warranty gives you specific legal rights and you may also have other rights, which may vary from state to state. Some states do not allow limitations on how long an implied warranty lasts, so the above limitations may not apply as to you. Also, some states do not allow the exclusion or limitation of incidental or consequential damages, so the above limitations or exclusions may not apply to you. Smittybilt reserves the right to discontinue product lines and substitute products or provide other remedies than those listed in this limited warranty for those discontinued products.

Warning

Rollover and other types of vehicle accidents may result in serious injury or death to you, your passengers and others sharing the road. Smittybilt accessories are decorative and are not intended to reduce or avoid injury or damage in the event of an accident. The weight and location of Smittybilt accessories may affect your vehicles' handling, stability and performance, creating an increased risk of accident or rollover. Before installing any accessory, check state laws and assure that the accessory will not obscure any lights or interfere with proper operation on your vehicle's safety equipment. Consult your owner's manual and the Smittybilt instructions, or additional safety information. Smittybilt products, nor the warnings contained herein, are not a substitute for your safe driving. Don't drink and drive, always use seat belts and don't drive faster than conditions permit.



WARNING: Cancer and Reproductive Harm
www.P65Warnings.ca.gov



For Technical Support / Warranty Information please call 800-776-0767 EXT 1317
Smittybilt, 400 W Artesia, Compton, CA 90220