



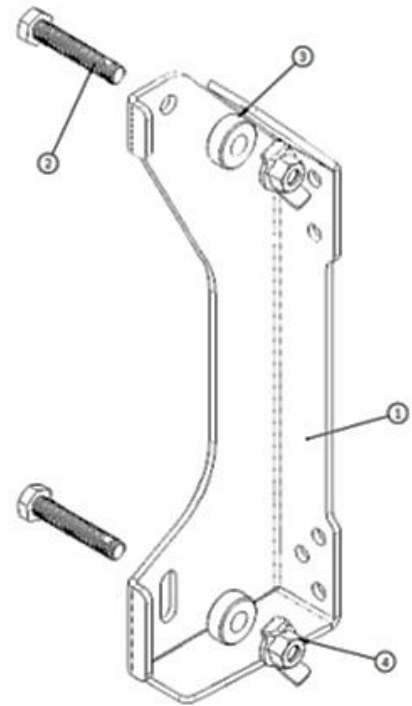
WWW.SMITTYBILT.COM

Jack Mount for JL HD pivot Part # 7744

Note: Actual pictures may vary from specific vehicle/ product.

Parts list:	Qty
M10-1.25x20mm hex bolt	6
M10 Flat washer	6
M12 Flat washer	2
M12 jam nut	2

Parts list:	Qty
Jack mount	1
M12 hex bolt w/hole	2
Jack mount spacer	2
M12 wing nut	2
6mm locking pin	2
10mm locking pin	1



Jack base must be removed before mounting jack.

For Technical Support/Warranty Information please call 310-762-9944
Smittybilt, 400 W. Artesia Blvd Compton, CA 90220



**Jack Mount for JL HD pivot
Part # 7744**

Step 1. Carefully remove all parts from the box.

Step 2. Clean the threaded holes in the HD pivot with rubbing alcohol to remove any impurities.
Fig 1.

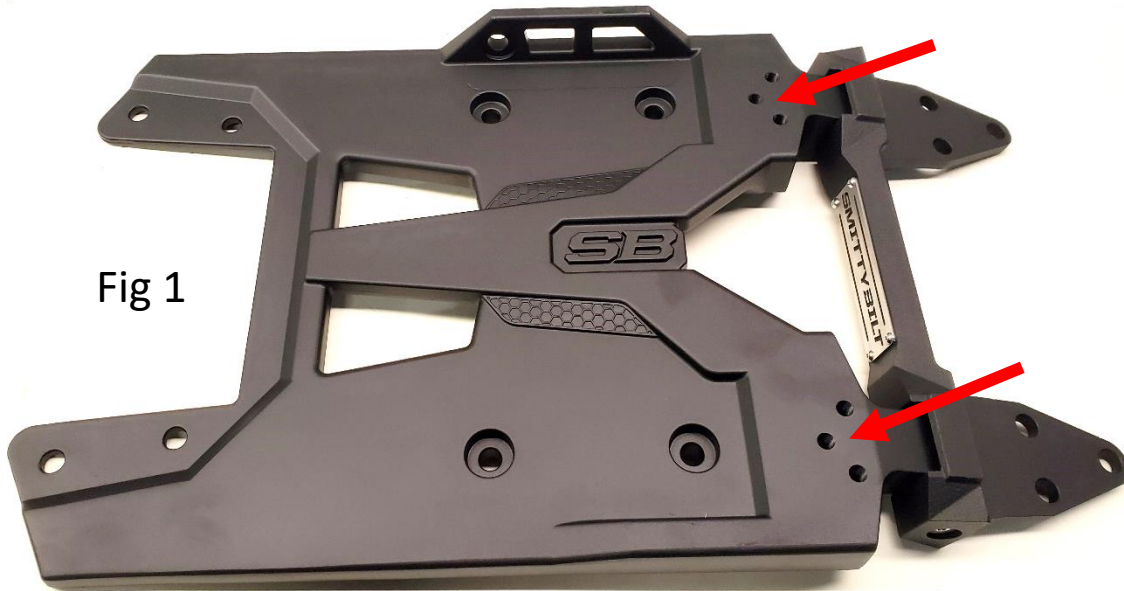


Fig 1

Step 3. Attach jack mount to HD pivot with six M10 bolts and flat washers. Fig 2
Thread locker is highly recommended.



Fig 2



**Jack Mount for JL HD pivot
Part # 7744**

Step 4. Attach the M12 bolts to the jack mount with a flat washer and jam nut on the inside. Tighten the top one fully (Fig 3) but leave the bottom one loose enough to allow for adjustment in the slotted hole. Fig 4.



Step 5. Attach jack to the M12 bolts, adjust bottom bolt position, remove jack then tighten bottom bolt.

Step 6. Place jack back onto M12 bolts then secure with jack mount spacer and wing nut. Secure wing nut with 6mm locking pin. Fig 5





**Jack Mount for JL HD pivot
Part # 7744**

Step 7. Adjust height of jack so it does not interfere with tail light when tail gate is open completely. Fig 6.



Step 8. Secure jack body by placing 12mm locking pin in the hole closest to the jack body. This will prevent the jack from lowering if jack is accidentally set to the lowering function. Fig 7.





Jack Mount for JL HD pivot
Part # 7744





**Jack Mount for JL HD pivot
Part # 7744**

CARE AND MAINTENANCE

Wash top with warm water and non abrasive soap, use a clean water soaked sponge of soft cloth.

Limited Warranties

Smittybilt's products are covered under the following limited warranties only. Note that the duration of the limited warranty differs according to the material and finish of the product purchased. Subject to the duration and conditions of the limited warranty, Smittybilt warrants to the original retail purchaser that its products are free from defects in material and workmanship. All other warranties and representations express or implied, are hereby disclaimed, including fitness for merchantability and buyer's intended use or purpose. All parts are sold "AS IS" except for the limited warranties granted herein. Buyer assumes all risks as to the selection, suitability and performance of all goods and products selected. This limited warranty does not cover damage or impairment in any part due to misuse, improper installation, accident or contact with on-road or off-road hazards, product modification, improper or inadequate cleaning and/or maintenance. Smittybilt is not responsible for items damaged during shipping. This warranty is not transferable from the original buyer. For the original Buyer to be eligible for the limited warranty coverage, the Buyer must provide proof of purchase. Customer's remedy hereunder shall be limited only to repair or replacement (at Smittybilt's option) of any defective part(s) returned to Smittybilt at customer's expense. The determination of whether or not a returned part is defective or subject to coverage under the limited warranties stated herein shall be made at Smittybilt's sole discretion.

For complete warranty information visit www.smittybilt.com

To assure product quality, Smittybilt reserves the right to change product design, material, specification and finishes without prior notice to customers. This limited warranty gives you specific legal rights and you may also have other rights, which may vary from state to state. Some states do not allow limitations on how long an implied warranty lasts, so the above limitations may not apply as to you. Also, some states do not allow the exclusion or limitation of incidental or consequential damages, so the above limitations or exclusions may not apply to you. Smittybilt reserves the right to discontinue product lines and substitute products, or provide other remedies than those listed in this limited warranty for those discontinued products.

Warning

Rollover and other types of vehicle accidents may result in serious injury or death to you, your passengers and others sharing the road. Smittybilt accessories are decorative and are not intended to reduce or avoid injury or damage in the event of an accident. The weight and location of Smittybilt accessories may affect your vehicles' handling, stability and performance, creating an increased risk of accident or rollover. Before installing any accessory, check state laws and assure that the accessory will not obscure any lights or interfere with proper operation on your vehicle's safety equipment. Consult your owner's manual and the Smittybilt instructions, or additional safety information. Smittybilt products, nor the warnings contained herein, are not a substitute for your safe driving. Don't drink and drive, always use seat belts and don't drive faster than conditions permit.

For Technical Support/Warranty Information please call 310-762-9944

Smittybilt, 400 West Artesia Blvd, Compton, CA 90220