

# Installation Instructions



## Front Aluminum Inner Fender Liners

Part # S/B76984

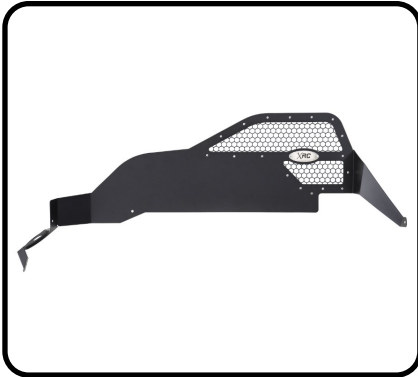
2007-2018 JK/JKU



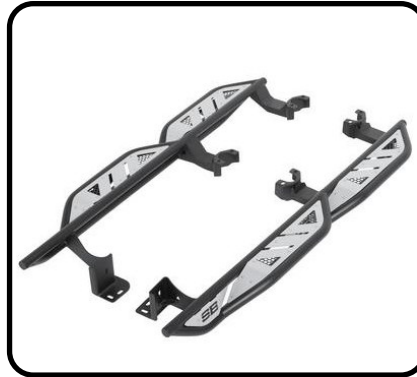
For Technical Support / Warranty Information please call 1-800-776-0767  
Smittybilt, 400 W Artesia, Compton, CA 90220

## Introduction

Thank you for choosing Smittybilt accessories for your Jeep Wrangler®. If you would like to view our full range of available accessories, please visit us at [www.smittybilt.com](http://www.smittybilt.com)



Rear Inner Fenders



Apollo Rock Sliders with Steps



Neoprene Seat Covers

Jeep®, Wrangler®, & JK® are registered trademarks of Stellantis N.V.

## Important Notes Before Starting

### ! IMPORTANT NOTE

Carefully read through this entire instruction manual thoroughly before attempting to install this part.

### ! IMPORTANT NOTE

Drilling is required. Always use proper PPE and caution when drilling.

### ! IMPORTANT NOTE

Photos may vary from the actual product. Installation will remain the same.

### ! WARNING

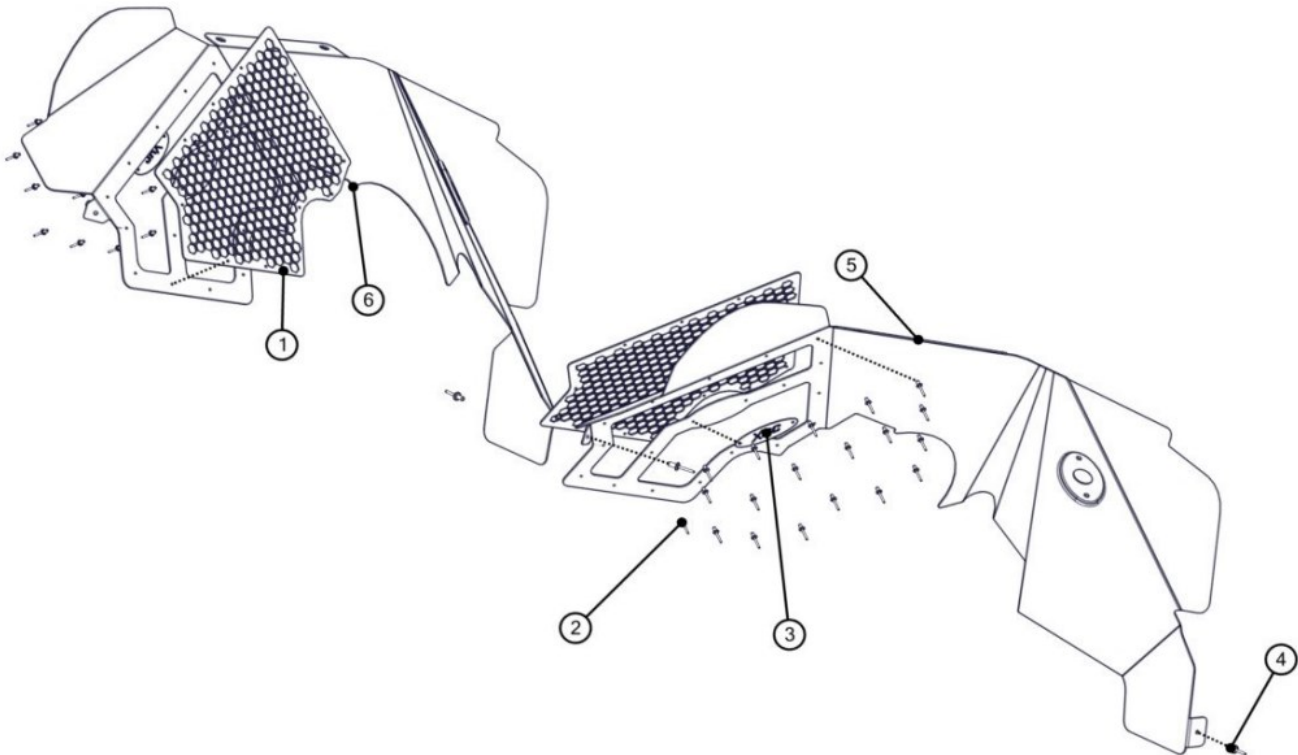
Park vehicle on flat surface, chock all four wheels and engage parking brake prior to installation.

Serious injury can occur when working on vehicles alone. When possible, work with another person to reduce risk of injury from strain or other dangers that can occur when working alone.



For Technical Support / Warranty Information please call 1-800-776-0767  
Smittybilt, 400 W Artesia, Compton, CA 90220

# Box Contents



ID	Part Description	QTY
1	Front Fender Liner Mesh (Preinstalled)	2
2	Blind Rivet: 1/8" Diameter (Preinstalled)	38
3	XRC Badge	2
4	Blind Rivet: 3/16" Diameter	4
5	Front Inner Fender Liner: Driver	1
6	Front Inner Fender Liner: Passenger	1

## Tools Required:

Socket Set

Drill

Drill Bit (4.8mm or #12)

Rivet Gun

Punch

PPE



## IMPORTANT NOTE

Smittybilt is not responsible for any potential problems associated with installation of this kit in conjunction with other manufacturer's products.



For Technical Support / Warranty Information please call 1-800-776-0767  
Smittybilt, 400 W Artesia, Compton, CA 90220

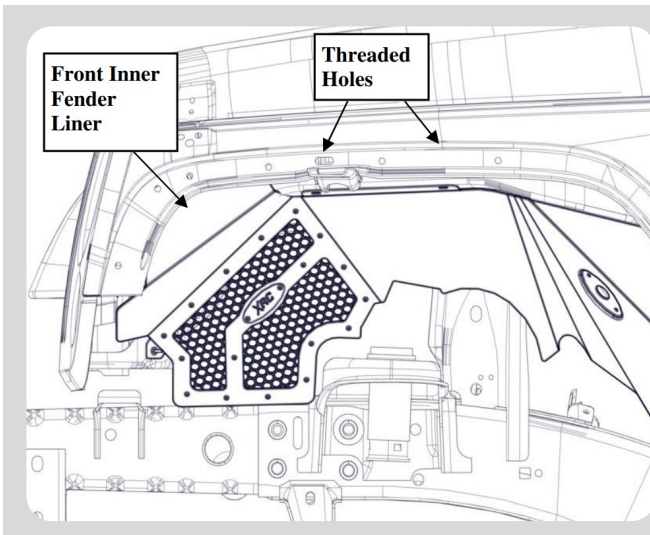
# Installation Instructions: Fender Liner Installation



## Step 1:

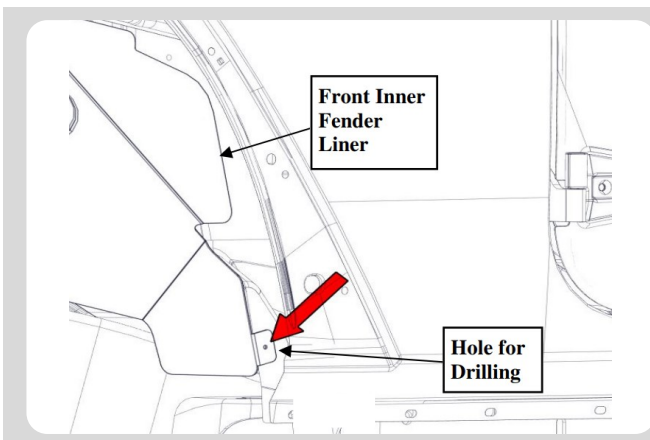
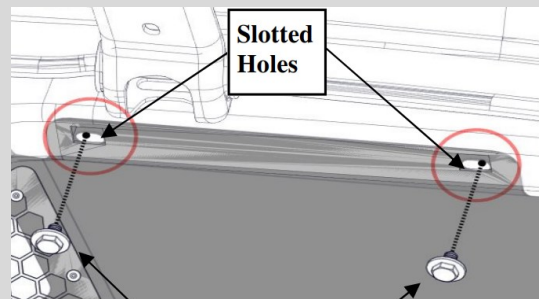
Park your Jeep® on a flat level surface. Apply the parking brake and chock the rear wheels. Lift the front of the vehicle and support the frame with jack stands. Then, remove the front wheels.

Starting on the driver side of the vehicle, remove the **OE** front inner fender liner from the wheel well. Save the **(2 per side)** upper **OE** bolts for later use.



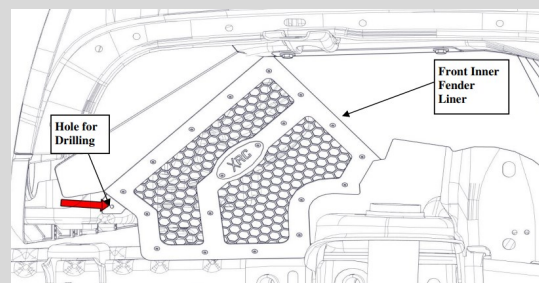
## Step 2:

Position the front inner fender liner in the front wheel well. Secure front inner fender liner to the **(2)** threaded upper mounting holes using previously removed **OE** bolts



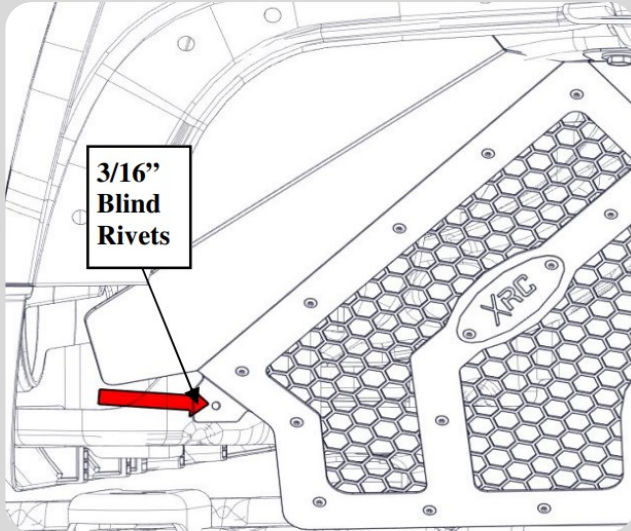
## Step 3:

Using the front inner fender liner as a guide, mark the locations of the mounting holes for drilling.



For Technical Support / Warranty Information please call 1-800-776-0767  
Smittybilt, 400 W Artesia, Compton, CA 90220

## Installation Instructions: Fender Liner Installation



### Step 4:

Remove the front inner fender liner from the wheel well. Center punch and drill out the previously applied marks using a 4.8mm or #12 drill bit.

**NOTE: Check the surrounding area before drilling to avoid accidental damage to existing components or wiring.**

Install the front inner fender liner into the front wheel well and secure using the supplied (**2 per side**) 3/16" Blind Rivets.



### Step 5:

Repeat Steps 1-4 for the passenger side liners.

**Installation is now complete.**

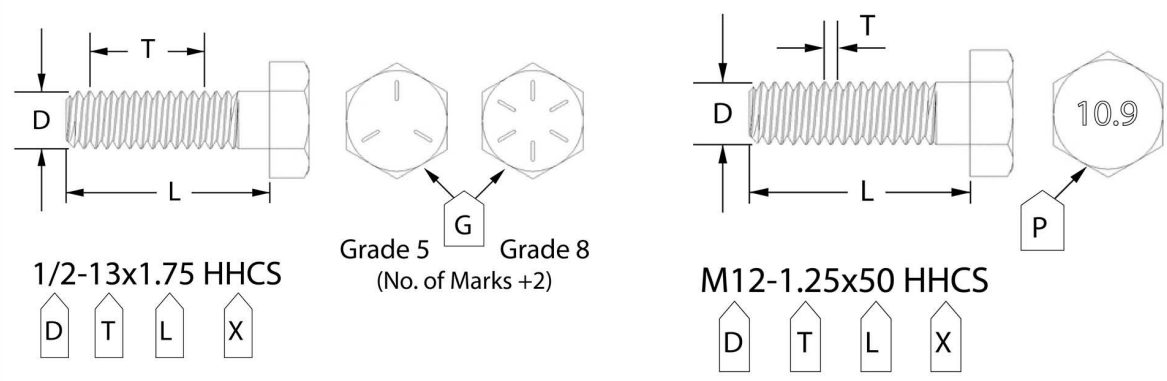


For Technical Support / Warranty Information please call 1-800-776-0767  
Smittybilt, 400 W Artesia, Compton, CA 90220

# Bolt Torque Specifications

Use this only as a guide for hardware without a called out torque specification in the instruction manual.

<b>Bolt Torque and ID</b>						
Decimal System			Metric System			
<i>All Torques in Ft. Lbs. Maximums</i>						
Bolt Size	Grade 5	Grade 8	Bolt Size	Class 9.8	Class 10.9	Class 12.9
5/16	15	20	M6	5	9	12
3/8	30	45	M8	18	23	27
7/16	45	60	M10	32	45	50
1/2	65	90	M12	55	75	90
9/16	95	130	M14	85	120	145
5/8	135	175	M16	130	165	210
3/4	185	280	M18	170	240	290



<p>G= Grade (Bolt Strength)</p> <p>D= Nominal Diameter (Inches)</p> <p>T= Thread Count (Threads per Inch)</p> <p>L= Length (Inches)</p> <p>X= Description (Hex Head Cap Screw)</p>	<p>P= Property Class (Bolt Strength)</p> <p>D= Nominal Diameter (Millimeters)</p> <p>T= Thread Pitch (Thread Width, mm)</p> <p>L= Length (Millimeters)</p> <p>X= Description (Hex Head Cap Screw)</p>
--	---



For Technical Support / Warranty Information please call 1-800-776-0767  
Smittybilt, 400 W Artesia, Compton, CA 90220

# Notes and Disclaimers

## Product cleaning and maintenance instructions

Stainless Steel Finish – Aluminum polish may be used to polish small scratches and scuffs on the finish. Mild soap, window or glass cleaner may be used to clean the finish. Dual state powder coat finish – Mild soap, window or glass cleaner may be used to clean the finish. In order to protect the finish, you may wax your product on a regular basis with pure carnauba automotive wax. Do not use any types of soap, polish or wax that contains abrasive that could damage the finish. Textured coated finishes should be cleaned with a mild soap on a damp sponge. Do not apply polish or wax that requires to be removed by means of buffing. This type of wax is commonly used at car wash facilities. Chrome Finish – Mild soap, window or glass cleaner may be used to clean the finish. In order to protect the finish, you should wax your product on a regular basis with pure carnauba automotive wax. Do not use any types of soap, polish or wax that contains abrasive that could damage the finish.

## SMITTYBILT ADVANTAGE WARRANTY

### LIMITED-LIFETIME WARRANTY FOR STRUCTURAL COMPONENTS

#### 5-YEAR FINISH WARRANTY

Smittybilt Automotive Products, LLC (SAP) warrants to the original purchaser that (a) the physical components (e.g., metal components, welds, etc.) of any SAP **JK Aluminum Inner Fender Liner Kit** will be free of defects in material and workmanship for the lifetime of the product from the date of purchase of the inner fender liners, and (b) the finish will be free of defects in material and workmanship for a period of 5-years from the original date of purchase. This warranty applies only to the original purchaser of the inner fender liners and is non-transferable. To obtain any warranty service, you must provide SAP with a proof of purchase and date of purchase that is acceptable to SAP, such as a copy of your purchase receipt.

This warranty does not cover labor of part replacement of the inner fender liners. SAP will, at its sole discretion, provide replacement part(s) for a defective liner or component, provided this is done within the warranty period. To request assistance under warranty, one must call or email using the phone number or email at the bottom of this page. This warranty does not apply (1) wearable components; or (2) if the liner(s) has been damaged, including, but not limited to: abuse, misuse, collision, modification, misapplication, improper installation, or improper service. This warranty is void if any SAP serial number has been removed or defaced; or if liners are used for any commercial, industrial, or rental applications. This warranty only applies to JK Aluminum Inner Fender Liners bought, sold, and used within the United States or Canada unless otherwise specifically agreed in writing by SAP.

THE WARRANTY SET FORTH ABOVE IS THE ONLY WARRANTY. THERE ARE NO OTHER WARRANTIES, EXPRESSED OR IMPLIED, INCLUDING BUT NOT LIMITED TO IMPLIED WARRANTIES OF MERCHANTABILITY OR FITNESS FOR A PARTICULAR PURPOSE. ANY IMPLIED WARRANTY WHICH BY LAW MAY NOT BE EXCLUDED IS LIMITED TO A DURATION OF ONE (1) YEAR FROM THE DATE OF ORIGINAL RETAIL PURCHASE OF THE PRODUCT. No SAP dealer, agent, or employee is authorized to make any modification, extension or addition to this warranty. SAP SHALL NOT BE LIABLE FOR SPECIAL, INDIRECT, INCIDENTAL OR CONSEQUENTIAL DAMAGES (INCLUDING, BUT NOT LIMITED TO, LOST PROFITS, DOWN TIME OR LOSS OF USE) UNDER ANY LEGAL THEORY, EVEN IF SAP WAS ADVISED OF THE POSSIBILITY OF SUCH DAMAGES. Some states do not allow the exclusion of implied warranties or the exclusion or limitation of liability for incidental or consequential damages, or limitations on how long an implied warranty lasts, so the above limitation or exclusion may not apply to you. This Warranty gives you specific legal rights. You may also have other rights that vary from state to state. SAP reserves the right to change product design without notice. In situations in which SAP has changed a product design, SAP shall have no obligation to upgrade or otherwise modify previously manufactured products. For warranty inquiries contact SAP at:

Smittybilt Automotive Products, LLC

Customer Service Department

Call 1-800-776-0767 or Email [info@smittybilt.com](mailto:info@smittybilt.com)



**WARNING: Cancer and Reproductive Harm**  
[www.P65Warnings.ca.gov](http://www.P65Warnings.ca.gov)



For Technical Support / Warranty Information please call 1-800-776-0767  
Smittybilt, 400 W Artesia, Compton, CA 90220