

Installation Instructions



Ford Bronco Steps (2DR / 4DR)
Part # S/B61669W / S/B61668W



For Technical Support / Warranty Information please call 800-776-0767 EXT 1317
or Email info@smittybilt.com

Introduction

Thank you for choosing Smittybilt accessories for your Ford Bronco. If you would like to view our full range of available accessories, please visit us at www.smittybilt.com



Ford® and Bronco® are registered trademarks of Ford Motor Company.

Important Notes Before Starting

! IMPORTANT NOTE

Carefully read through this entire instruction manual thoroughly before attempting to install this part.

The following tools will be required to complete the installation of this part:

TOOLS REQUIRED

Metric Socket Wrench Set

Torque Wrench

! WARNING

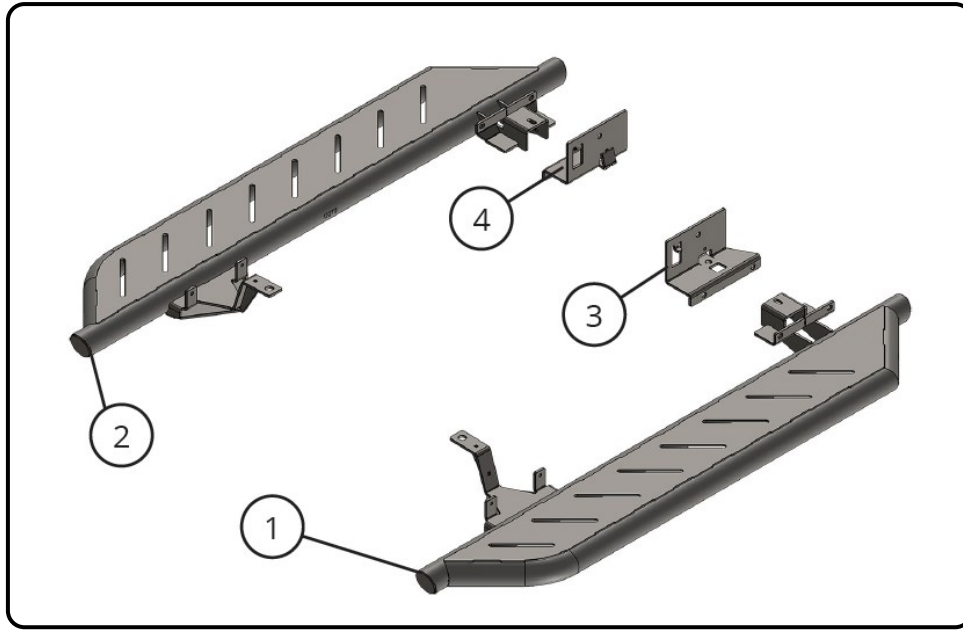
Serious injury can occur when working on vehicles alone.

When possible, work with another person to reduce risk of injury from strain or other dangers that can occur when working alone.



For Technical Support / Warranty Information please call 800-776-0767 EXT 1317
or Email info@smittybilt.com

Box Contents: 2 Door Models



S/B61669W - 2 DR BOX CONTENTS

ITEM NO.	PART NO.	DESCRIPTION	QTY
1	84-12277	BRONCO 2 DR STEP - MAIN WELDMENT - DRV	1
2	84-12279	BRONCO 2 DR STEP - MAIN WELDMENT - PASS	1
3	84-12273	BRONCO STEP - MID MNT BRKT ASSM - DRV	1
4	84-12275	BRONCO STEP - MID MNT BRKT ASSM - PASS	1

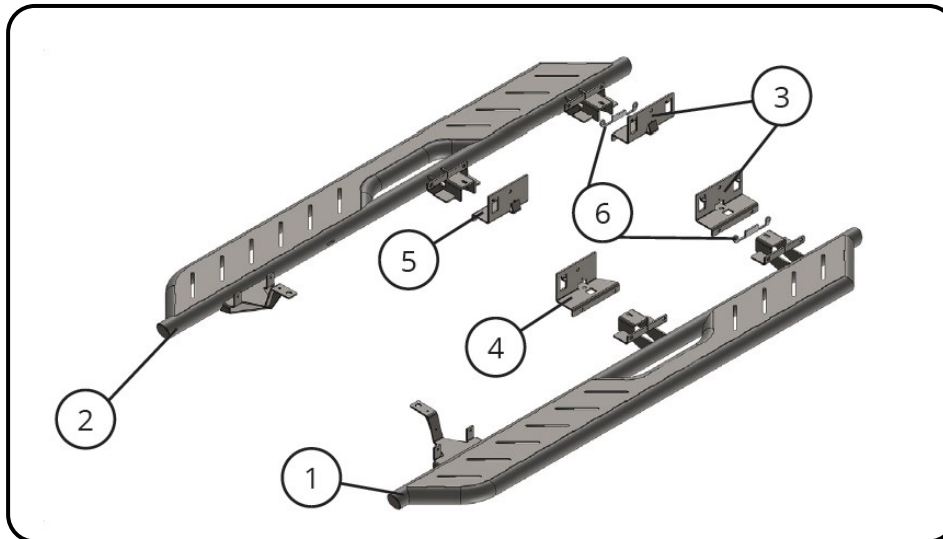
90-60807 - HARDWARE PACK

DESCRIPTION	QTY
M8X1.25 CLIP-ON BARREL NUT CZ	2
M8 OVRSDZD WSHR 8.4mm ID, 24mm OD, 1.8-2.2 THKN CZ	2
M8X1.25X25 HHCS GR10.9 CZ	2
M10 OVRSDZD WSHR 10.5mm ID, 25mm OD, 3.7-4.3 THKN CZ	4
M10X1.5X30 HHCS GR10.9 CZ	4
M6 OVRSDZD WSHR 6.4mm ID, 17mm OD, 2.7-3.3 THKN CZ	16
M6X1X25 HHCS GR10.9 CZ	4
M6X1X35 HHCS GR10.9 CZ	4
M6X1 NYLOCK GR10.9 CZ	8
ND-12102-1.0ML BLUE THREAD LOCKER	1



For Technical Support / Warranty Information please call 800-776-0767 EXT 1317
or Email info@smittybilt.com

Box Contents: 4 Door Models



S/B61668W - 4 DR BOX CONTENTS

ITEM NO.	PART NO.	DESCRIPTION	QTY
1	84-12257	BRONCO STEP - MAIN WELDMENT - DRV	1
2	84-12268	BRONCO STEP - MAIN WELDMENT - PASS	1
3	84-12270	BRONCO STEP - REAR BRKT ASSM	2
4	84-12273	BRONCO STEP - MID MNT BRKT ASSM - DRV	1
5	84-12275	BRONCO STEP - MID MNT BRKT ASSM - PASS	1
6	84-12281	BRONCO STEP - REAR MNT SPCR	2

90-60806 - HARDWARE PACK

DESCRIPTION	QTY
M6 OVRSDZ WSHR 6.4mm ID, 17mm OD, 2.7-3.3 THKN CZ	24
M6X1X35 HHCS GR10.9 CZ	8
M6X1X25 HHCS GR10.9 CZ	4
M6X1 NYLOCK GR10.9 CZ	12
M8X1.25X25 HHCS GR10.9 CZ	4
M8 OVRSDZ WSHR 8.4mm ID, 24mm OD, 1.8-2.2 THKN CZ	4
M8X1.25 CLIP-ON BARREL NUT CZ	4
M10X1.5X30 HHCS GR10.9 CZ	6
M10 OVRSDZ WSHR 10.5mm ID, 25mm OD, 3.7-4.3 THKN CZ	8
ND-12102-1.0ML BLUE THREAD LOCKER	1



For Technical Support / Warranty Information please call 800-776-0767 EXT 1317
or Email info@smittybilt.com

Installation Instructions

! IMPORTANT NOTE

Carefully read through this entire instruction manual thoroughly before attempting to install this part.

! WARNING

Check all four wheels and make sure parking brake is engaged before starting this install. Failure to do so could result in serious injury.

Step 1: Check Box Contents

Open the box containing your Ford Bronco Steps, check all parts against the Bill of Materials outlined in the first pages of these instructions.

If anything is missing, contact Smittybilt Technical Support immediately.

Step 2: Remove OE Side Steps

If your vehicle is equipped with OE Side Steps, refer to your owner's manual for correct removal procedure.



Step 3: Insert Nut Clips

Insert nut clips to

PN: 84-12273 & PN: 84-12275 (Mid Mount Bracket Assemblies) as shown.

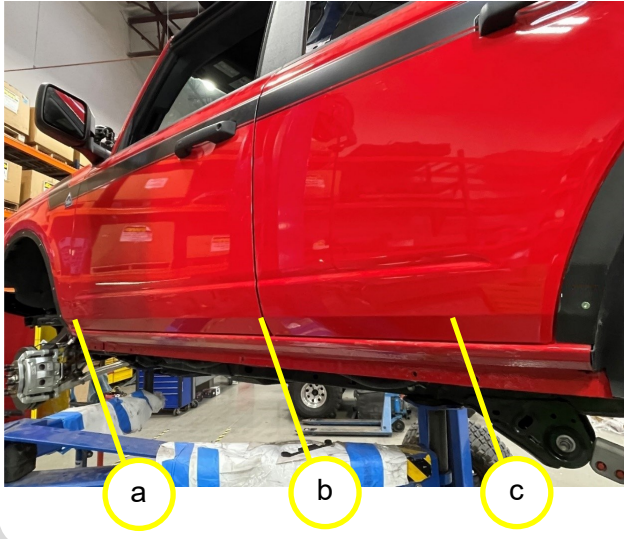
(If fitting to a 4 door, insert nut clip to **PN: 84-12270, Rear Bracket Assembly**)



For Technical Support / Warranty Information please call 800-776-0767 EXT 1317
or Email info@smittybilt.com

Installation Instructions

Step 4: Install Rear Bracket Assembly

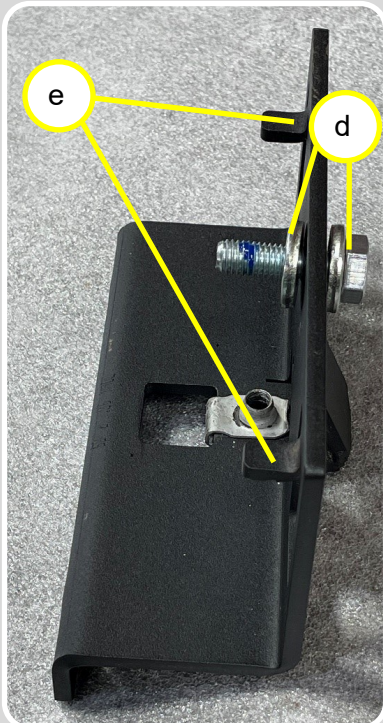


Install PN: 84-12270 (**Rear Bracket Assembly**) to driver side under REAR body of vehicle, with M10X30mm bolt and 2X M10 oversized washers. Add **Threadlocker** and hand tighten for now.

Repeat this process for the passenger side.

Images show:

- (a) Front of vehicle
- (b) Center of vehicle
- (c) Rear of vehicle
- (d) Oversized Washers
- (e) Locating Tabs



! IMPORTANT

Ensure that locating tabs (e) are inserted into body panel holes .



For Technical Support / Warranty Information please call 800-776-0767 EXT 1317
or Email info@smittybilt.com

Installation Instructions

CENTER



Step 5: Install Mid Bracket Assembly

Install PN: **84-12273 (Mid Mount Bracket Assembly)** to driver side under **CENTER** section of vehicle, with M10X30mm bolt and 1X M10 washer. Add **Threadlocker** and hand tighten for now.

Repeat on passenger side with PN: **84-12275 (Mid Mount Bracket Assembly)**.

! IMPORTANT NOTE

Ensure that locating tab is inserted into body panel hole.

FRONT



Step 6: Install Main Weldment-Drv & Pass

Starting from the driver side front bracket, then the center and finally the rear bracket, install PN: **84-12257 (Main Weldment)** to the vehicle, using 3X M10X30mm and 3X M10 washers. Add **Threadlocker** and hand tighten for now.

Repeat process on Passenger side with PN: **84-12268 (Main Weldment)**.

! IMPORTANT NOTE

This step will require 2 people to complete.

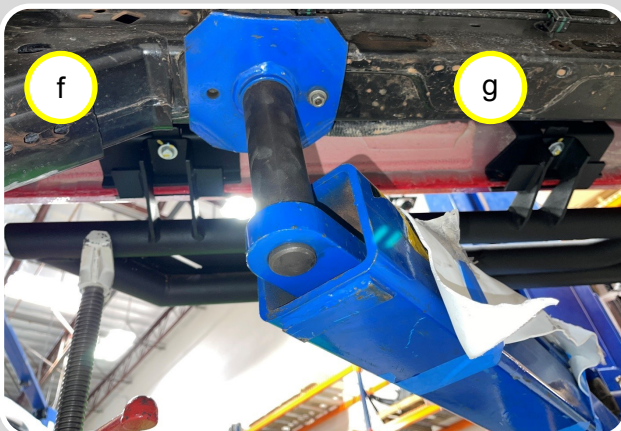


Image shows:

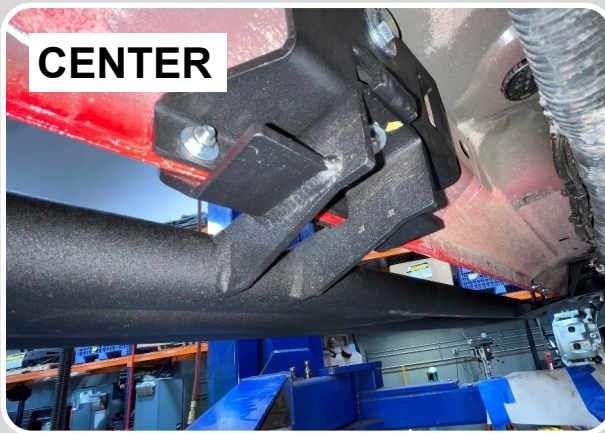
(f) Rear of vehicle

(g) Center of vehicle



For Technical Support / Warranty Information please call 800-776-0767 EXT 1317
or Email info@smittybilt.com

Installation Instructions



! IMPORTANT NOTE

Steps 7 & 8 will require the correct hardware lengths described for installation.

Step 7: Install Hardware

Install hardware through pinch welds as shown:

FRONT: 2X M6X25mm and 6mm washers

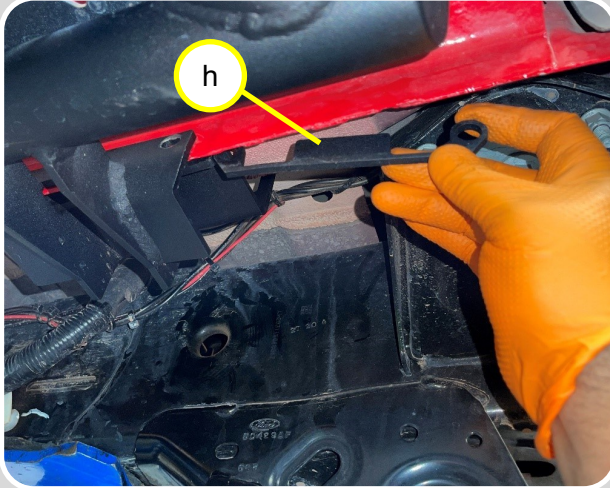
CENTER: 2X M6X35mm bolts and 4X 6mm washers

Hand tighten for now. Repeat on passenger side.



For Technical Support / Warranty Information please call 800-776-0767 EXT 1317
or Email info@smittybilt.com

Installation Instructions



Step 8: Install Rear Mount Spacer (4 For 4 Door Only)

Install PN: 84-12281 (Rear Mount Spacer) between PN: 84-12270 (Rear Bracket Assy) and OE pinch weld (h), spacer facing up as shown.

Install hardware through pinch weld:

REAR: 2X M6X35mm bolt and 4X 6mm washers

Hand tighten for now. Repeat on passenger side.



Step 9: Complete Installation

Ensure steps are level. Once satisfied with position, tighten and torque all bolts.



IMPORTANT NOTE

Refer to chart on page 10 of instructions for torque specifications.

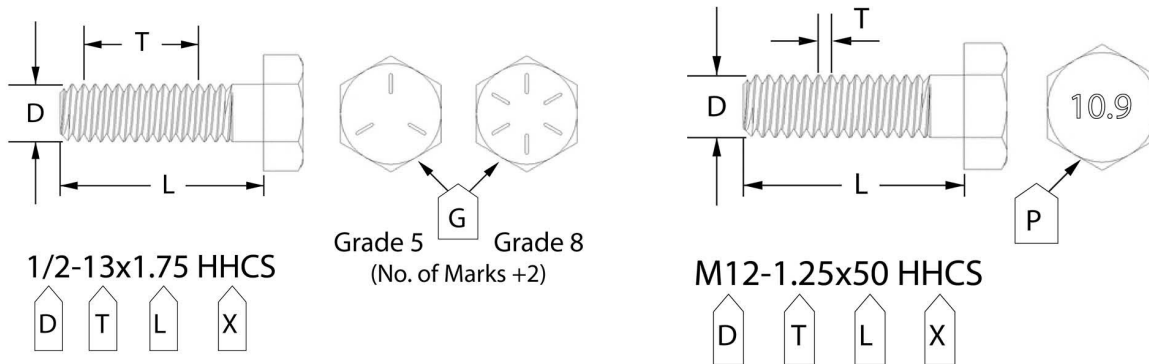


For Technical Support / Warranty Information please call 800-776-0767 EXT 1317
or Email info@smittybilt.com

Bolt Torque Specifications

Use this only as a guide for hardware without a called out torque specification in the instruction manual.

Bolt Torque and ID						
Decimal System			Metric System			
<i>All Torques in Ft. Lbs. Maximums</i>						
Bolt Size	Grade 5	Grade 8	Bolt Size	Class 9.8	Class 10.9	Class 12.9
5/16	15	20	M6	5	9	12
3/8	30	45	M8	18	23	27
7/16	45	60	M10	32	45	50
1/2	65	90	M12	55	75	90
9/16	95	130	M14	85	120	145
5/8	135	175	M16	130	165	210
3/4	185	280	M18	170	240	290



G= Grade (Bolt Strength)
 D= Nominal Diameter (Inches)
 T= Thread Count (Threads per Inch)
 L= Length (Inches)
 X= Description (Hex Head Cap Screw)

P= Property Class (Bolt Strength)
 D= Nominal Diameter (Millimeters)
 T= Thread Pitch (Thread Width, mm)
 L= Length (Millimeters)
 X= Description (Hex Head Cap Screw)



For Technical Support / Warranty Information please call 800-776-0767 EXT 1317
 or Email info@smittybilt.com

Notes and Disclaimers

Product cleaning and maintenance instructions

Stainless Steel Finish – Aluminum polish may be used to polish small scratches and scuffs on the finish. Mild soap, window or glass cleaner may be used to clean the finish. Dual state powder coat finish – Mild soap, window or glass cleaner may be used to clean the finish. In order to protect the finish, you may wax your product on a regular basis with pure carnauba automotive wax. Do not use any types of soap, polish or wax that contains abrasive that could damage the finish. Textured coated finishes should be cleaned with a mild soap on a damp sponge. Do not apply polish or wax that requires to be removed by means of buffing. This type of wax is commonly used at car wash facilities. Chrome Finish – Mild soap, window or glass cleaner may be used to clean the finish. In order to protect the finish, you should wax your product on a regular basis with pure carnauba automotive wax. Do not use any types of soap, polish or wax that contains abrasive that could damage the finish.

Limited Warranties

Smittybilt's products are covered under the following limited warranties only. Note that the duration of the limited warranty differs according to the material and finish of the product purchased. Subject to the duration and conditions of the limited warranty stated below, Smittybilt warrants to the original retail purchaser that its products are free from defects in material and workmanship. All other warranties and representations express or implied, are hereby disclaimed, including fitness for merchantability and buyer's intended use or purpose. All parts are sold "AS IS" except for the limited warranties granted herein. Buyer assumes all risks as to the selection, suitability and performance of all goods and products selected. This limited warranty does not cover damage or impairment in any part due to misuse, improper installation, accident or contact with on-road or off-road hazards, product modification, improper or inadequate cleaning and/or maintenance. Smittybilt is not responsible for items damaged during shipping. This warranty is not transferable from the original buyer. For the original Buyer to be eligible for the limited warranty coverage, the Buyer must provide proof of purchase. Smittybilt strongly recommends returning the warranty registration card. Customer's remedy hereunder shall be limited only to repair or replacement (at Smittybilt's option) of any defective part(s) returned to Smittybilt at customer's expense. The determination of whether or not a returned part is defective or subject to coverage under the limited warranties stated herein shall be made at Smittybilt's sole discretion. To assure product quality, Smittybilt reserves the right to change product design, material, specification and finishes without prior notice to customers. This limited warranty gives you specific legal rights and you may also have other rights, which may vary from state to state. Some states do not allow limitations on how long an implied warranty lasts, so the above limitations may not apply as to you. Also, some states do not allow the exclusion or limitation of incidental or consequential damages, so the above limitations or exclusions may not apply to you. Smittybilt reserves the right to discontinue product lines and substitute products or provide other remedies than those listed in this limited warranty for those discontinued products.

Warning

Rollover and other types of vehicle accidents may result in serious injury or death to you, your passengers and others sharing the road. Smittybilt accessories are decorative and are not intended to reduce or avoid injury or damage in the event of an accident. The weight and location of Smittybilt accessories may affect your vehicles' handling, stability and performance, creating an increased risk of accident or rollover. Before installing any accessory, check state laws and assure that the accessory will not obscure any lights or interfere with proper operation on your vehicle's safety equipment. Consult your owner's manual and the Smittybilt instructions, or additional safety information. Smittybilt products, nor the warnings contained herein, are not a substitute for your safe driving. Don't drink and drive, always use seat belts and don't drive faster than conditions permit.



WARNING: Cancer and Reproductive Harm
www.P65Warnings.ca.gov



For Technical Support / Warranty Information please call 800-776-0767 EXT 1317
or Email info@smittybilt.com



For Technical Support / Warranty Information please call 800-776-0767 EXT 1317
or Email info@smittybilt.com