

Installation Instructions



Toyota Tacoma Hi-Lift Mount
Part # S/B61451W



For Technical Support / Warranty Information please call 800-776-0767 EXT 1317
or Email at info@smittybilt.com

Introduction

Thank you for choosing Smittybilt accessories for your Toyota Tacoma. If you would like to view our full range of available accessories, please visit us at www.smittybilt.com



Toyota® and Tacoma® are registered trademarks of Toyota Motor Corporation.

Important Notes Before Starting

IMPORTANT NOTE

Carefully read through this entire instruction manual thoroughly before attempting to install this part.

The following tools will be required to complete the installation of this part:

TOOLS REQUIRED

13mm Socket & Socket	Ratcheting Wrench
19mm Wrench & Socket	Torque Wrench

WARNING

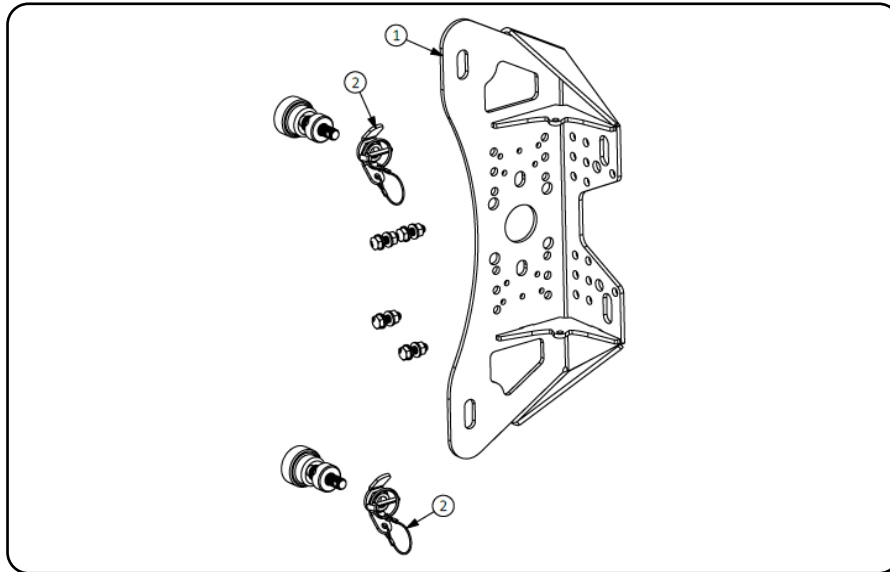
Serious injury can occur when working on vehicles alone.

When possible, work with another person to reduce risk of injury from strain or other dangers that can occur when working alone.



For Technical Support / Warranty Information please call 800-776-0767 EXT 1317
or Email at info@smittybilt.com

Box Contents



SB61451W BOX CONTENTS

ITEM NO.	PART NO.	DESCRIPTION	QTY
1	84-1040AAHLM100	HI-LIFT MOUNT WELDMENT	1
2	84-1040AAHLM300	M12X1.75 WING NUT	2

Hardware Packs

SB61451W-01: DOOR MOUNT HARDWARE

QTY	PART NO.	DESCRIPTION
8	91166A270	M8 FLAT WASHER CZ
4	90854A167	M8X1.25X25 HHCS GR10.9 CZ
4	90576A117	M8X1.25 NYLOCK GR8.8 CZ

SB61451W-02: HI-LIFT MOUNT HARDWARE

QTY	PART NO.	DESCRIPTION
2	91166A290	M12 FLAT WASHER DIN125 CZ
2	96-1040AAHLM200	HI-LIFT SPACER
2	1040AAHLM900	M12X1.75X70 FULL THREAD CARRIAGE BOLT GR10.9 CZ
2	94645A229	M12X1.5 NYLOCK GR10 CZ
2	96-1040AAHLM400	29X13MM SPACER 13.5MM HOLE - DELRIN



For Technical Support / Warranty Information please call 800-776-0767 EXT 1317
or Email at info@smittybilt.com

Installation Instructions

! IMPORTANT NOTE

Carefully read through this entire instruction manual thoroughly before attempting to install this part.

! WARNING

Chock all four wheels and make sure parking brake is engaged before starting this install. Failure to do so could result in serious injury.

Step 1: Check Box Contents

Open the box containing your Toyota Tacoma HI-Lift Mount, check all parts against the Bill of Materials outlined in the first pages of these instructions.

If anything is missing, contact Smittybilt Technical Support immediately.

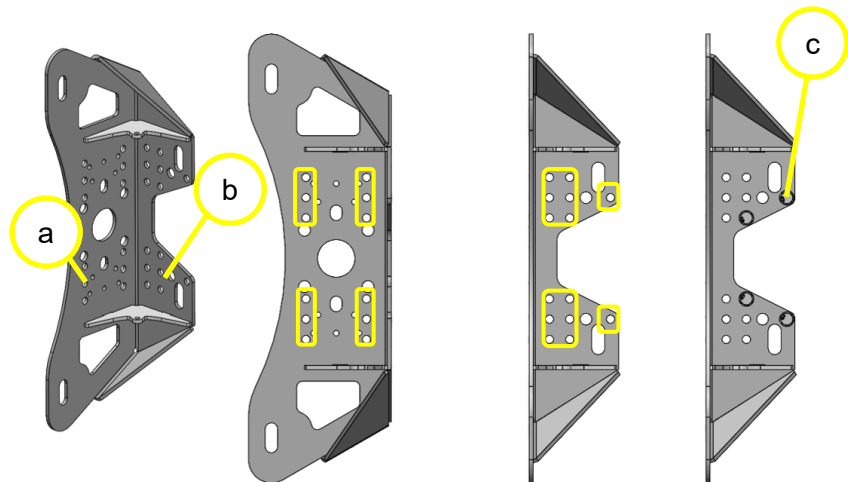


Step 2: Install Hi-Lift Mount to Swing Gate

Locate PN: 1040AAHLM100 (Hi-Lift Mount Weldment) and PN: SB61451W-01 (Door Mount Hardware Pack).

From the hardware pack, use 4X M8x1.25x25mm Hex Head Screws, 8X M8 Flat Washers and 4X M8 Nylock Nuts to install Hi-Lift Mount to Swing Gate by aligning the mounting holes of Hi-Lift Mount to mounting holes of Swing Gate.

Secure using a **13mm Wrench and Socket.**

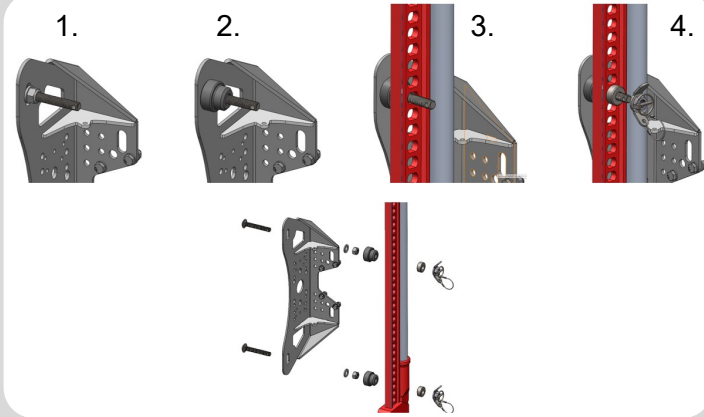


The Hi-Lift Mount can be mounted to the swing gate using face (a) or (b) as needed. After selecting which configuration to choose, one bolt must be secured in each of the 4 rectangles to ensure secure installation (shown at c).



For Technical Support / Warranty Information please call 800-776-0767 EXT 1317
or Email at info@smittybilt.com

Installation Instructions



Step 3: Install Hi-Lift Jack

Locate PN: **SB61451W-02 (Hi-Lift Mount Hardware)** and install Hi-Lift jack to mount by following the sequence of the hardware and spacers below:

M12 full thread carriage bolt, Hi-Lift mount, M12 flat washer, M12 nylock nut, Hi-lift spacer, Hi-Lift jack, Spacer, M12 wing nut.

Step 4: Torque All Hardware

Torque all hardware according to specification.

! IMPORTANT NOTE

Torque Specification Chart on Page 6.

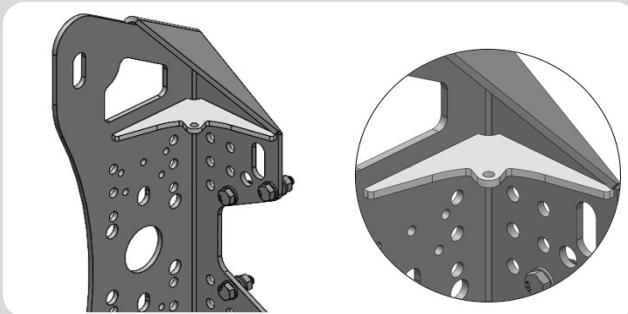


Step 5: Complete Installation

The Hi-Lift Mount can be mounted on the inside or outside of the mount.

In addition, if preferred the foot can be removed and secured to the Hi-Lift Mount. Hardware has not been provided for foot securing.

Your installation is now complete.



Note:

Holes have been provided to retain wing nuts during removal of Hi-Lift jack.

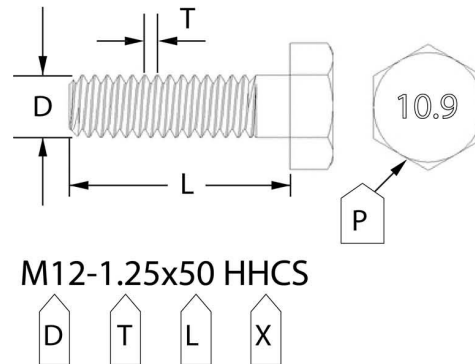
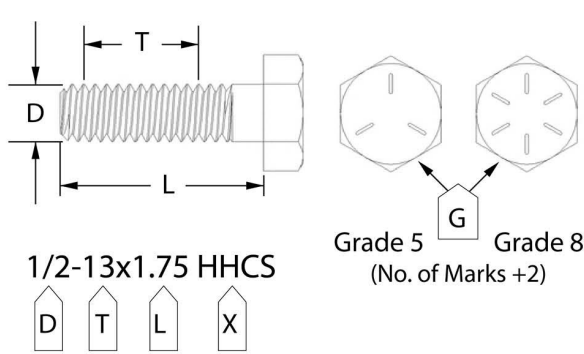


For Technical Support / Warranty Information please call 800-776-0767 EXT 1317
or Email at info@smittybilt.com

Bolt Torque Specifications

Use this only as a guide for hardware without a called out torque specification in the instruction manual.

Bolt Torque and ID						
Decimal System			Metric System			
<i>All Torques in Ft. Lbs. Maximums</i>						
Bolt Size	Grade 5	Grade 8	Bolt Size	Class 9.8	Class 10.9	Class 12.9
5/16	15	20	M6	5	9	12
3/8	30	45	M8	18	23	27
7/16	45	60	M10	32	45	50
1/2	65	90	M12	55	75	90
9/16	95	130	M14	85	120	145
5/8	135	175	M16	130	165	210
3/4	185	280	M18	170	240	290



G= Grade (Bolt Strength)
 D= Nominal Diameter (Inches)
 T= Thread Count (Threads per Inch)
 L= Length (Inches)
 X= Description (Hex Head Cap Screw)

P= Property Class (Bolt Strength)
 D= Nominal Diameter (Millimeters)
 T= Thread Pitch (Thread Width, mm)
 L= Length (Millimeters)
 X= Description (Hex Head Cap Screw)



For Technical Support / Warranty Information please call 800-776-0767 EXT 1317
 or Email at info@smittybilt.com

Notes and Disclaimers

Product cleaning and maintenance instructions

Stainless Steel Finish – Aluminum polish may be used to polish small scratches and scuffs on the finish. Mild soap, window or glass cleaner may be used to clean the finish. Dual state powder coat finish – Mild soap, window or glass cleaner may be used to clean the finish. In order to protect the finish, you may wax your product on a regular basis with pure carnauba automotive wax. Do not use any types of soap, polish or was that contains abrasive that could damage the finish. Textured coated finishes should be cleaned with a mild soap on a damp sponge. Do not apply polish or was that requires to be removed by means of buffing. This type of wax is commonly used at car wash facilities. Chrome Finish – Mild soap, window or glass cleaner may be used to clean the finish. In order to protect the finish, you should wax your product on a regular basis with pure carnauba automotive wax. Do not use any types of soap, polish or was that contains abrasive that could damage the finish.

Limited Warranties

Smittybilt's products are covered under the following limited warranties only. Note that the duration of the limited warranty differs according to the material and finish of the product purchased. Subject to the duration and conditions of the limited warranty stated below, Smittybilt warrants to the original retail purchaser that its products are free from defects in material and workmanship. All other warranties and representations express or implied, are hereby disclaimed, including fitness for merchantability and buyer's intended use or purpose. All parts are sold "AS IS" except for the limited warranties granted herein. Buyer assumes all risks as to the selection, suitability and performance of all goods and products selected. This limited warranty does not cover damage or impairment in any part due to misuse, improper installation, accident or contact with on-road or off-road hazards, product modification, improper or inadequate cleaning and/or maintenance. Smittybilt is not responsible for items damaged during shipping. This warranty is not transferable from the original buyer. For the original Buyer to be eligible for the limited warranty coverage, the Buyer must provide proof of purchase. Smittybilt strongly recommends returning the warranty registration card. Customer's remedy hereunder shall be limited only to repair or replacement (at Smittybilt's option) of any defective part(s) returned to Smittybilt at customer's expense. The determination of whether or not a returned part is defective or subject to coverage under the limited warranties stated herein shall be made at Smittybilt's sole discretion. To assure product quality, Smittybilt reserves the right to change product design, material, specification and finishes without prior notice to customers. This limited warranty gives you specific legal rights and you may also have other rights, which may vary from state to state. Some states do not allow limitations on how long an implied warranty lasts, so the above limitations may not apply as to you. Also, some states do not allow the exclusion or limitation of incidental or consequential damages, so the above limitations or exclusions may not apply to you. Smittybilt reserves the right to discontinue product lines and substitute products or provide other remedies than those listed in this limited warranty for those discontinued products.

Warning

Rollover and other types of vehicle accidents may result in serious injury or death to you, your passengers and others sharing the road. Smittybilt accessories are decorative and are not intended to reduce or avoid injury or damage in the event of an accident. The weight and location of Smittybilt accessories may affect your vehicles' handling, stability and performance, creating an increased risk of accident or rollover. Before installing any accessory, check state laws and assure that the accessory will not obscure any lights or interfere with proper operation on your vehicle's safety equipment. Consult your owner's manual and the Smittybilt instructions, or additional safety information. Smittybilt products, nor the warnings contained herein, are not a substitute for your safe driving. Don't drink and drive, always use seat belts and don't drive faster than conditions permit.



WARNING: Cancer and Reproductive Harm
www.P65Warnings.ca.gov



For Technical Support / Warranty Information please call 800-776-0767 EXT 1317
or Email at info@smittybilt.com



For Technical Support / Warranty Information please call 800-776-0767 EXT 1317
or Email at info@smittybilt.com