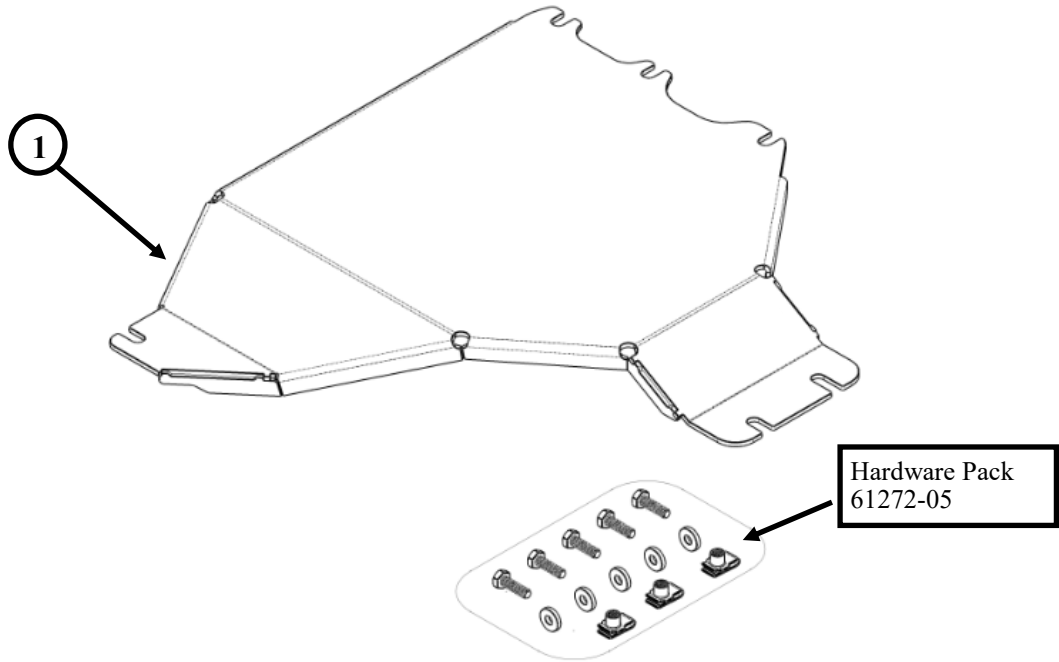




**Installation Instructions:**  
*(Part # S/B61272W)*  
*Transfer Case Skid Plate*  
*2021+ BRONCO 2DR & 4DR*

**NOTE: Carefully read entire instructions thoroughly before attempting to install this part.**



Parts Included	Qty	ID
61272-01 TRANSFER CASE SKID PLATE	1	1

Hardware Pack 61272W-05	Qty
M10x1.5x25 HEX BOLT GR10.9	5
M10 FLAT WASHER ZINC	5
M10X1.5 CLIP-NUT	3

**SUGGESTED TOOLS:**

- General mechanic tool set
- Torque wrench
- Drill
- Drill bit set up to 1/2"

For Technical Support/Warranty Information please call 1-800-776-0767



# Installation Instructions:

(Part # S/B61272W)  
Transfer Case Skid Plate  
2021+ BRONCO 2DR & 4DR

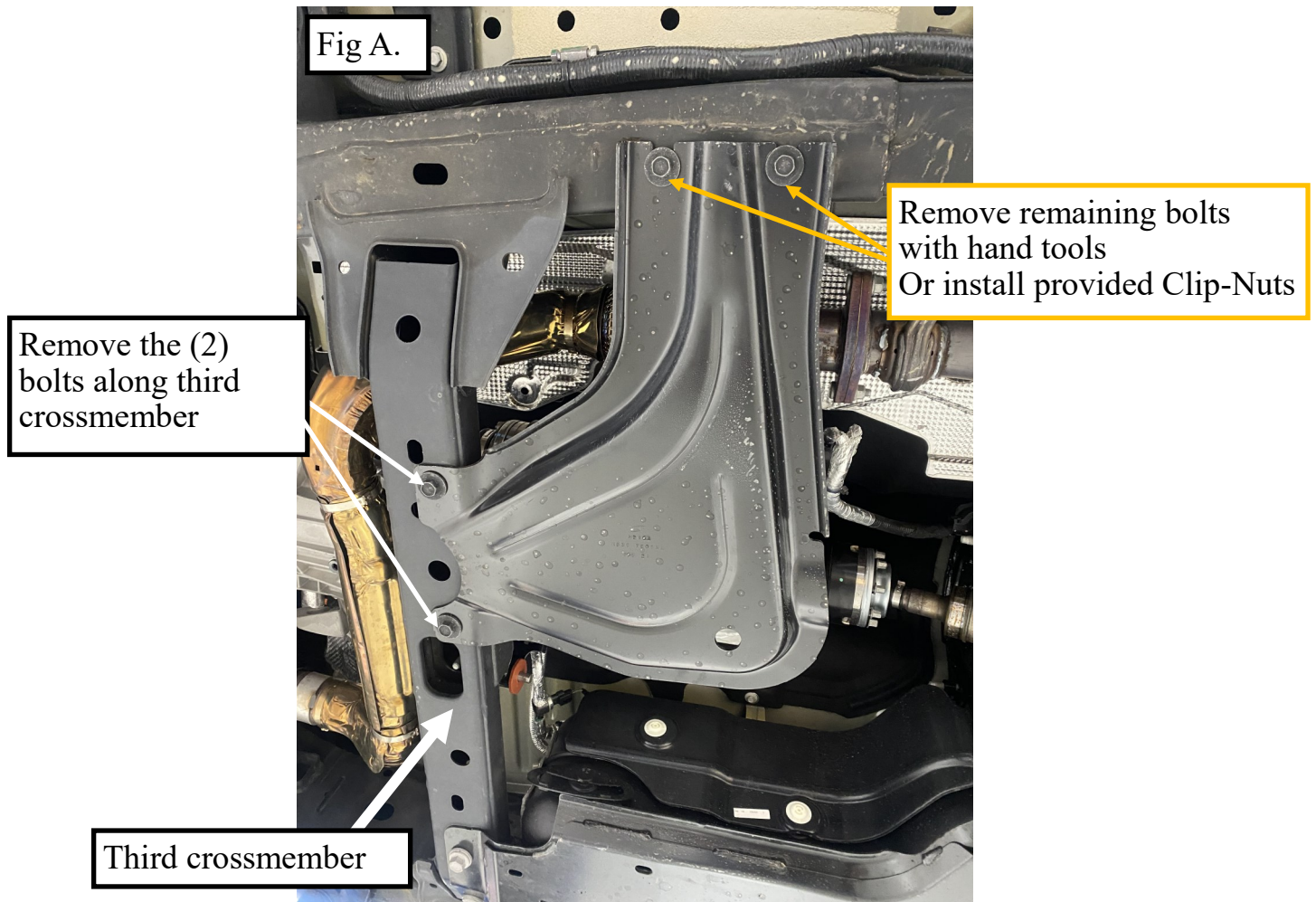
## INSTALLATION:

Make sure vehicle is raised safely on a hoist, or parked on flat level ground with all four wheels chocked.

**Step 1:** Read through these instructions thoroughly prior to starting the install. Use masking tape to protect painted surfaces.

**Step 2:** Carefully remove the bolts securing the OE transfer case skid plate to the third cross-member and set aside. For the remaining (2) bolts on the frame rail; DO NOT use an impact gun! As the clip nuts may break. Carefully loosen and remove the remaining bolts and remove the OE transfer case skid plate (**Fig A.**)

**Note:** Some models do not come with OE Transfer Case skid plates. If this applies to your vehicle, install (2) of the provided M10 Clip-Nuts in the frame rail



For Technical Support/Warranty Information please call 1-800-776-0767

Smittybilt, 1017 W 600 N STE 4, Ogden, UT 84404



## Installation Instructions:

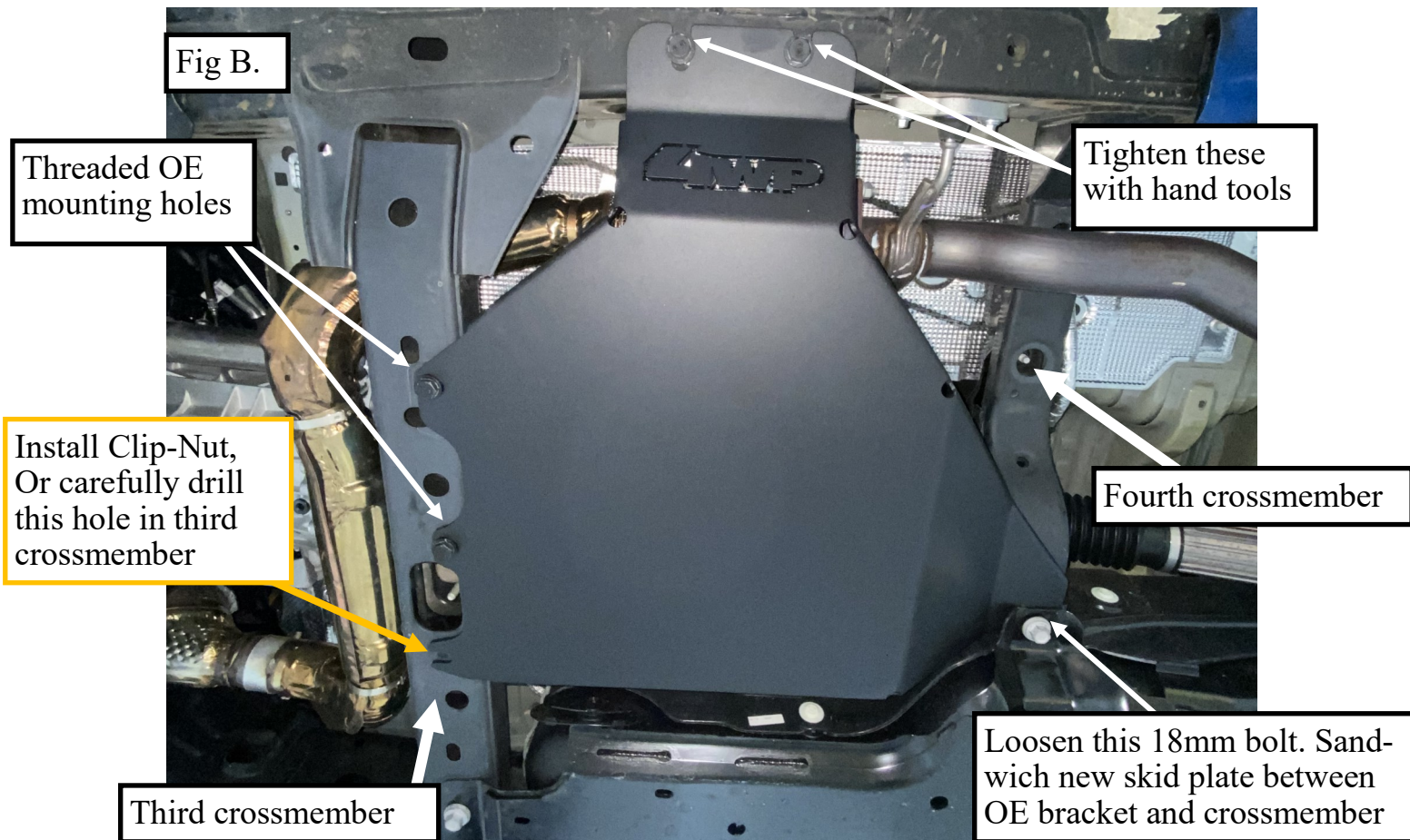
(Part # S/B61272W)  
Transfer Case Skid Plate  
2021+ BRONCO 2DR & 4DR

**.NOTE:** For 'Stand Alone' install, proceed to **Step 4**.

**Step 3:** If you already have Smittybilt's Transmission skid-plate S/B61271W installed, loosen the two mounting bolts on the third crossmember. This skid plate will install underneath, sandwiching the transfer case skid against the third crossmember. **(Fig C.)**

**NOTE:** Some models have mounting holes for a Clip-Nut in the crossmember and do not require drilling, if this applies to your vehicle, install (1) provided clip nut first.

**Step 4:** With an 18mm socket, loosen the bolt attaching the gas tank to the fourth crossmember. Using **(Fig B.)** as a guide, nest the skid plate between the OE gas tank mount and the fourth crossmember. Pivot the skid plate so that it aligns with the remaining mounting holes. Do not re-use the OE mounting bolts! Using the M10x1.5x25mm bolts and washers provided, loosely install (4) bolts and washers in the mounting holes of the third crossmember and frame rail. Double check fitment, Tighten these (5) bolts snug. **(See Note)** With a 1/2" drill bit, carefully drill through the third crossmember for the last mounting hole. Install the provided M10 Flange Nut into the crossmember and secure with the last M10 bolt and washer provided. Tighten and torque M10 mounting bolts to **36ft-lbs** Gas Tank bolt to **103ft-lbs**.



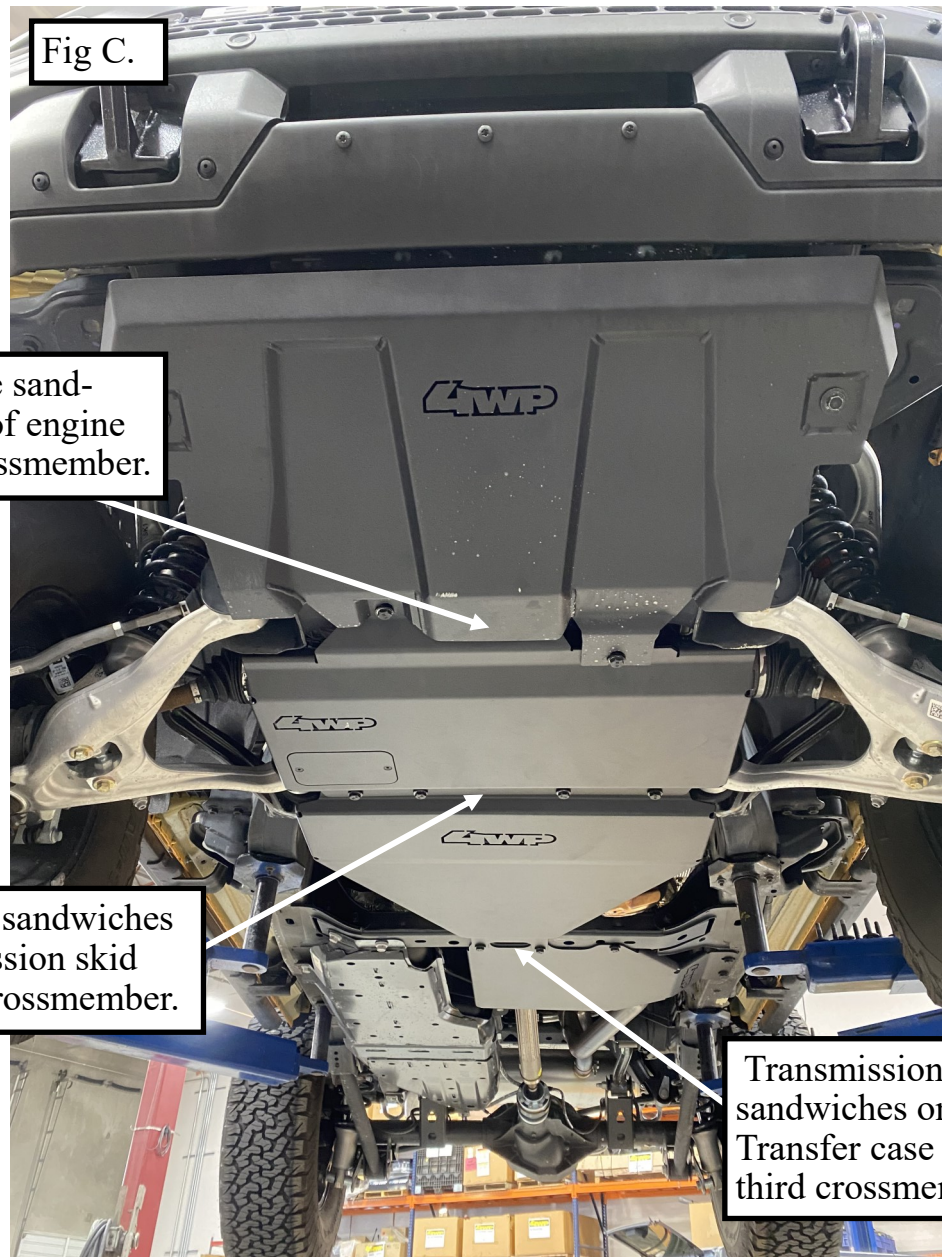
For Technical Support/Warranty Information please call 1-800-776-0767

Smittybilt, 1017 W 600 N STE 4, Ogden, UT 84404



## Installation Instructions: (Part # S/B61272W) Transfer Case Skid Plate 2021+ BRONCO 2DR & 4DR

**Step 5:** Double check the orientation of the skid plates as outlined in (Fig C.) The skid plates should overlap each other towards the rear of the vehicle. When satisfied with fitment, snug then torque supplied hardware to **36ft-lbs**, any remaining OE hardware torque to **27ft-lbs**. Recheck hardware after 100 miles.



For Technical Support/Warranty Information please call 1-800-776-0767

Smittybilt, 1017 W 600 N STE 4, Ogden, UT 84404



# Installation Instructions:

(Part # S/B61272W)  
 Transfer Case Skid Plate  
 2021+ BRONCO 2DR & 4DR

Use this only as a guide for hardware without a called out torque specification in the instruction manual.

<b>Bolt Torque and ID</b>						
<b>Decimal System</b>			<b>Metric System</b>			
All Torques in Ft. Lbs. Maximums						
Bolt Size	Grade 5	Grade 8	Bolt Size	Class 9.8	Class 10.9	Class 12.9
5/16	15	20	M6	5	9	12
3/8	30	45	M8	18	23	27
7/16	45	60	M10	32	45	50
1/2	65	90	M12	55	75	90
9/16	95	130	M14	85	120	145
5/8	135	175	M16	130	165	210
3/4	185	280	M18	170	240	290

<p>1/2-13x1.75 HHCS</p> <p>D T L X</p>	<p><b>Grade 5    Grade 8</b></p> <p>(No. of Marks + 2)</p>	<p>M12-1.25x50 HHCS</p> <p>D T L X</p>
<p>G = Grade (Bolt Strength)</p> <p>D = Nominal Diameter (Inches)</p> <p>T = Thread Count (Threads per Inch)</p> <p>L = Length (Inches)</p> <p>X = Description (Hex Head Cap Screw)</p>		<p>P = Property Class (Bolt Strength)</p> <p>D = Nominal Diameter (Millimeters)</p> <p>T = Thread Pitch (Thread Width, mm)</p> <p>L = Length (Millimeters)</p> <p>X = Description (Hex Head Cap Screw)</p>

**NOTE:** Ford recommended maximum torque for 2021+ Bronco, OE 10mm threaded frame mounting holes is 50nm (**36.8ft-lbs**)

For Technical Support/Warranty Information please call 1-800-776-0767



**Installation Instructions:**  
*(Part # S/B61272W)*  
*Transfer Case Skid Plate*  
 2021+ BRONCO 2DR & 4DR

**SMITTYBILT ADVANTAGE WARRANTY**

**5-YEAR FINISH WARRANTY  
 LIMITED-LIFETIME STRUCTURAL WARRANTY**

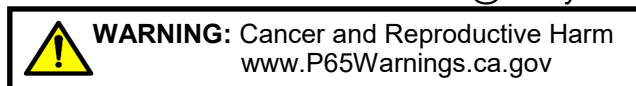
Smittybilt Automotive Products, LLC (SAP) warrants to the original purchaser that (a) the physical components (e.g., metal components, hardware, etc.) of any SAP **Bronco Transfer Case Skid Plate** will be free of defects in material and workmanship for the lifetime of the skid plate; and (b) the finish will be free of defects for a period of 5-years from the original purchase date. This warranty applies only to the original purchaser of the skid and is non-transferable. To obtain any warranty service, you must provide SAP with a proof of purchase and date of purchase that is acceptable to SAP, such as a copy of your purchase receipt.

This warranty does not cover labor of part replacement of the skid plate. SAP will, at its sole discretion, provide replacement part(s) for a defective skid plate or component, provided this is done within the warranty period. To request assistance under warranty, one must call or email using the phone number or email at the bottom of this page. This warranty does not apply if the skid plate has been damaged by accident, abuse, misuse, collision, modification, misapplication, improper installation, changes to the factory set parameters, or improper service; or any normally wearable part.

This warranty is void if any SAP serial number has been removed or defaced; or if the skid plate is used for any commercial, industrial, or rental applications. This warranty only applies to skid plates bought, sold, and used within the United States or Canada unless otherwise specifically agreed in writing by SAP.

THE WARRANTY SET FORTH ABOVE IS THE ONLY WARRANTY. THERE ARE NO OTHER WARRANTIES, EXPRESSED OR IMPLIED, INCLUDING BUT NOT LIMITED TO IMPLIED WARRANTIES OF MERCHANT ABILITY OR FITNESS FOR A PARTICULAR PURPOSE. ANY IMPLIED WARRANTY WHICH BY LAW MAY NOT BE EXCLUDED IS LIMITED TO A DURATION OF ONE (1) YEAR FROM THE DATE OF ORIGINAL RETAIL PURCHASE OF THE PRODUCT. No SAP dealer, agent, or employee is authorized to make any modification, extension or addition to this warranty. SAP SHALL NOT BE LIABLE FOR SPECIAL, INDIRECT, INCIDENTAL OR CONSEQUENTIAL DAMAGES (INCLUDING, BUT NOT LIMITED TO, LOST PROFITS, DOWN TIME OR LOSS OF USE) UNDER ANY LEGAL THEORY, EVEN IF SAP WAS ADVISED OF THE POSSIBILITY OF SUCH DAMAGES. Some states do not allow the exclusion of implied warranties or the exclusion or limitation of liability for incidental or consequential damages, or limitations on how long an implied warranty lasts, so the above limitation or exclusion may not apply to you. This Warranty gives you specific legal rights. You may also have other rights that vary from state to state. SAP reserves the right to change product design without notice. In situations in which SAP has changed a product design, SAP shall have no obligation to upgrade or otherwise modify previously manufactured products. For warranty inquiries contact SAP at:

Smittybilt Automotive Products, LLC  
 Customer Service Department  
 Call 1-800-776-0767 or Email [info@smittybilt.com](mailto:info@smittybilt.com)



**For Technical Support/Warranty Information please call 1-800-776-0767**

**Smittybilt, 1017 W 600 N STE 4, Ogden, UT 84404**