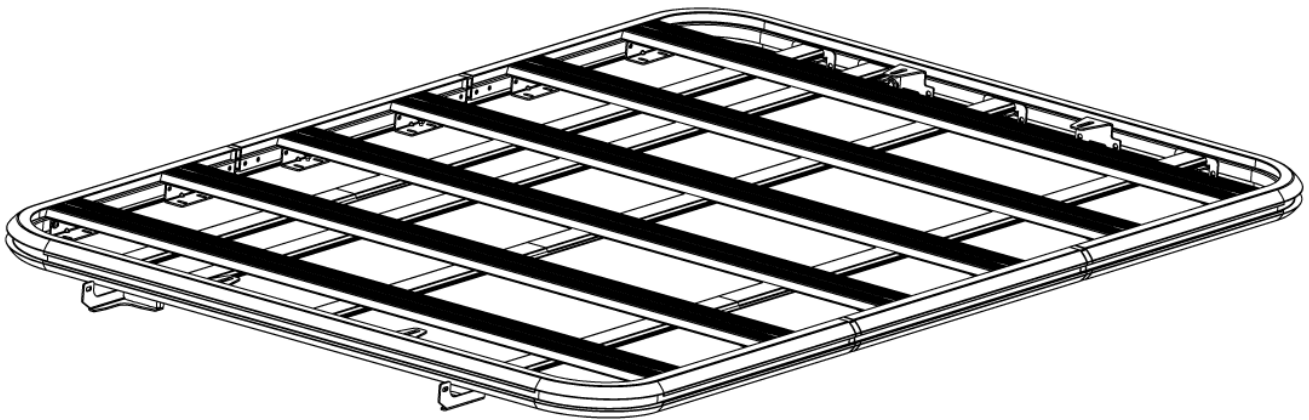


Installation Instructions



Defender Platform

Part # S/B5743 (57"x43"), S/B6057 (60"x57"), S/B6754 (67"x54"), S/B7245 (72"x45")
S/B6045 (60"x45"), S/B9450 (94"x50"), S/B7950 (79"x50")



For Technical Support / Warranty Information please call **800-776-0767 EXT 1317**
Smittybilt, 400 W Artesia, Compton, CA 90220

Introduction

Thank you for choosing Smittybilt accessories for your **Vehicle** . If you would like to view our full range of available accessories, please visit us at www.smittybilt.com



Important Notes Before Starting

! IMPORTANT NOTE

Carefully read through this entire instruction manual thoroughly before attempting to install this part.

Please refer to the vehicle's owner's manual for roof weight capacity (include weight of rack). Check that all fasteners are properly torqued after installing the roof rack and driving a short distance. Fasteners should be checked regularly before loading roof rack. Fasten loads securely and evenly distribute loads across the rack. Lower the center of gravity of all loads as much as possible. Wind can affect driving sensitivity with roof racks.

! WARNING

Serious injury can occur when working on vehicles alone.

When possible, work with another person to reduce risk of injury from strain or other dangers that can occur when working alone.

The following tools will be required to complete the installation of this part:

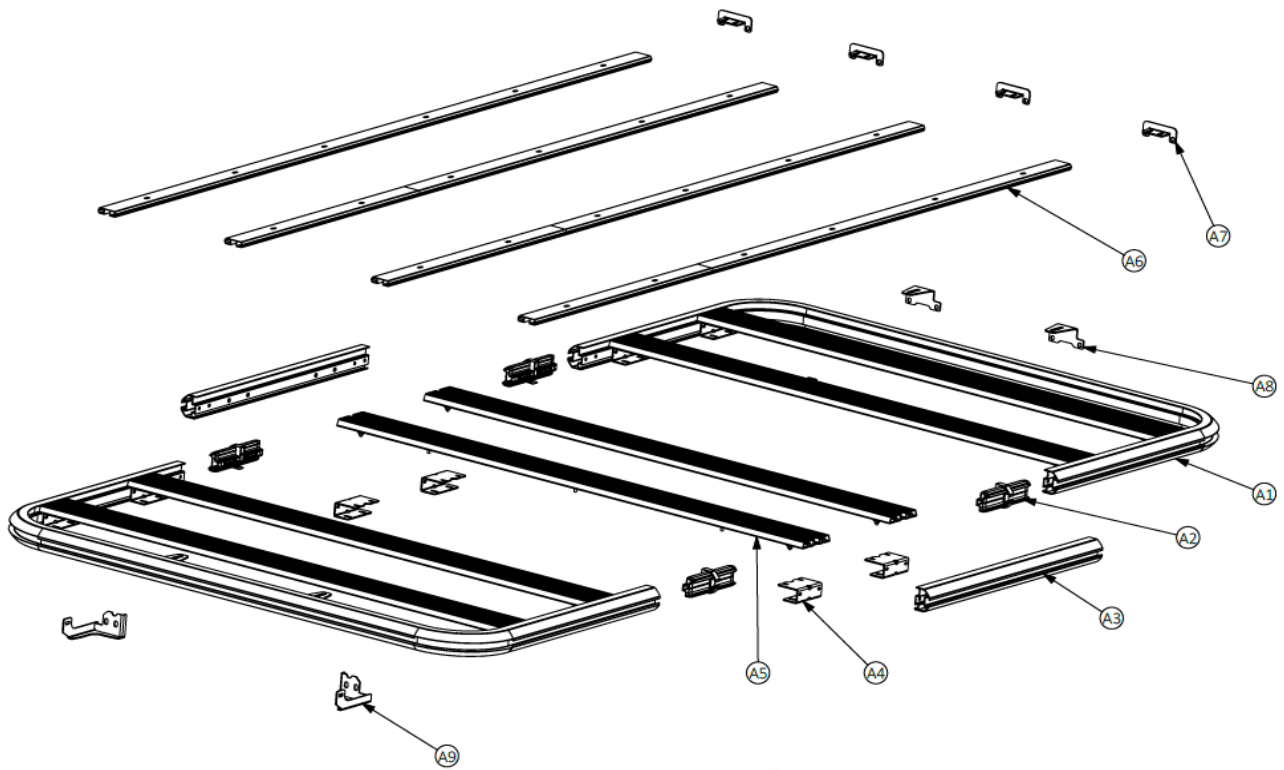
TOOLS REQUIRED

Torque wrench	Ratchet	Rubber mallet
10mm socket	4mm hex key	4mm hex bit socket
10mm wrench	10mm ratchet wrench	



For Technical Support / Warranty Information please call 800-776-0767 EXT 1317
Smittybilt, 400 W Artesia, Compton, CA 90220

Box Contents



Bubble ID #	Description	QTY
A1	Half platform	2
A2	Platform connector	2-4
A3	Platform extension (Ext. model)	2
A4	Cross bar mounting bracket (Ext. model)	4
A5	Cross bars (Ext. model)	2
A6	Stringers	3-4
A7	Stringer mounting bracket	6-8
A8	Pod light bracket	4
A9	Light bar bracket	2



For Technical Support / Warranty Information please call 800-776-0767 EXT 1317
Smittybilt, 400 W Artesia, Compton, CA 90220

Installation Instructions



Step 1:

Locate the (2) half platform, (2) platform connectors, (8) M6 x 20mm bolt, (8) M6 flat washers, (8) M6 lock washers and place them on a work bench.

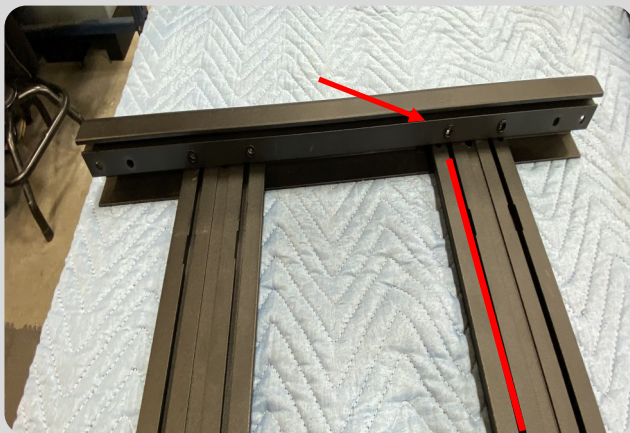


Step 2:

Install the platform connectors to (1) of the half platforms.

Note:

If your Defender Platform doesn't come with rack extensions skip to step 10 or if your vehicle is a Jeep Gladiator proceed to step 9.



Step 3:

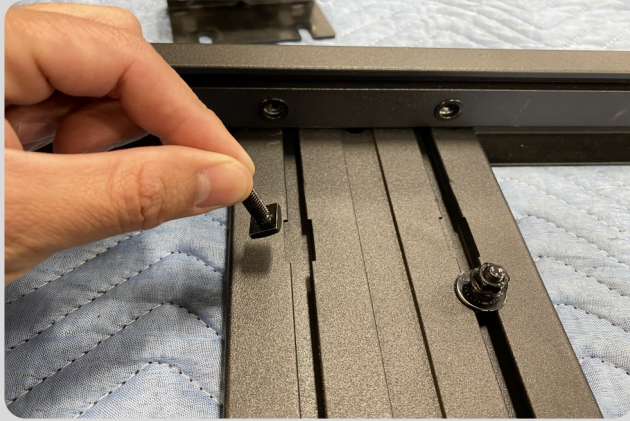
Locate (1) platform extensions and (2) cross bars. Insert the cross bars to the large opening of the platform. Align the cross bar channels to the pre-install rivet nuts.

Repeat step on the opposite side of cross bars.



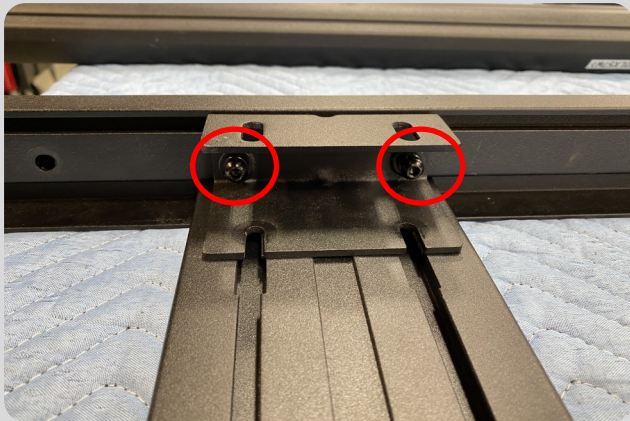
For Technical Support / Warranty Information please call 800-776-0767 EXT 1317
Smittybilt, 400 W Artesia, Compton, CA 90220

Installation Instructions



Step 4:

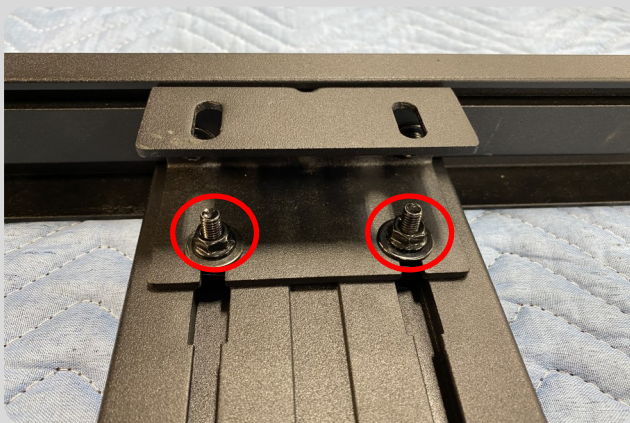
Insert (1) T-bolt on each channel opening
Repeat step on the opposite side of cross bars.



Step 5:

Locate (1) cross bar mounting brackets, (2) M6 x 20mm bolts with lock washer and flat washer.
Install cross mounting bracket to platform extension and secure it using the M6 hardware.

Repeat this step on the remaining cross bar mounting brackets.



Step 6:

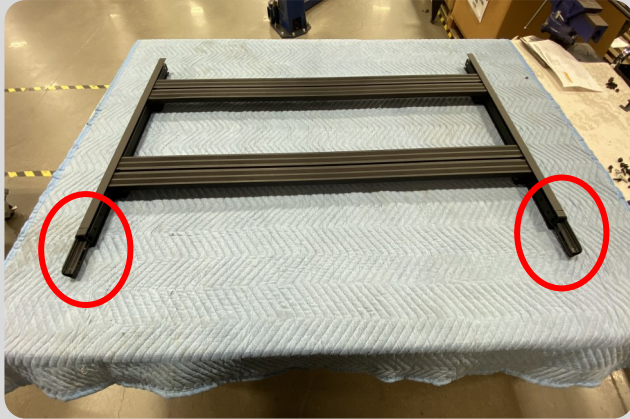
Secure the cross bar mounting to the cross bar using the t-bolt previously install to the channels.
Use M6 flat washers and M6 nylock nuts to secure.

Repeat this step on the remaining cross bar mounting brackets.



For Technical Support / Warranty Information please call 800-776-0767 EXT 1317
Smittybilt, 400 W Artesia, Compton, CA 90220

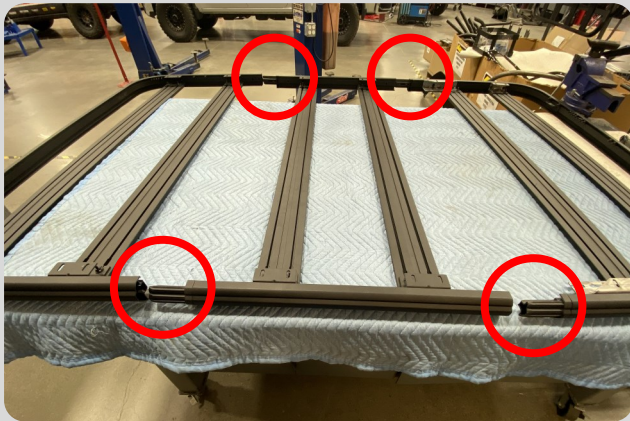
Installation Instructions



Step 7:

Install (2) platform extensions to one side of the platform extension.

Use (4) M6 x 20mm bolts, flat washer and lock washer to secure.



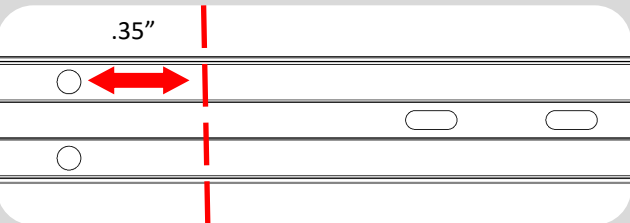
Step 8:

Install the (2) half platforms to the platform extension.

Secure them using M6 x 20mm bolts, washers and lock washers.

Note: Do not over tight the platform connector hardware.

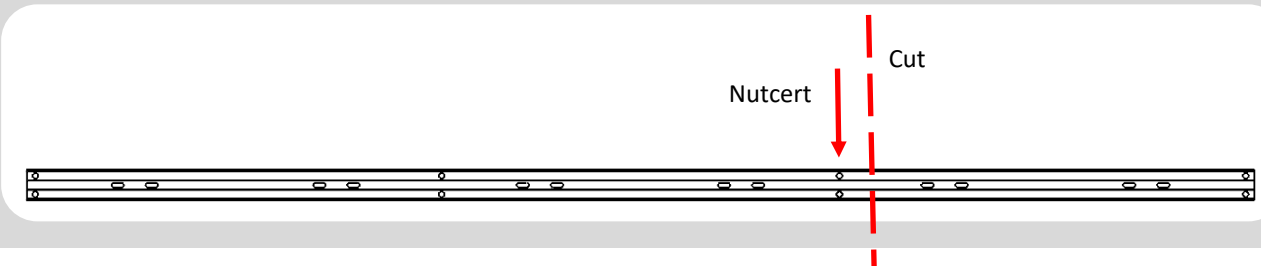
Skip to step #11.



Step 9: ONLY NECESSARY FOR GLADIATOR

For Jeep Gladiator applications, stringers will have to be modified when using S/B6057.

Make a mark .35" from the outer edge of the set of Nutcerts towards the end of the extrusion. Cut at the mark using the appropriate tool.



For Technical Support / Warranty Information please call 800-776-0767 EXT 1317
Smittybilt, 400 W Artesia, Compton, CA 90220

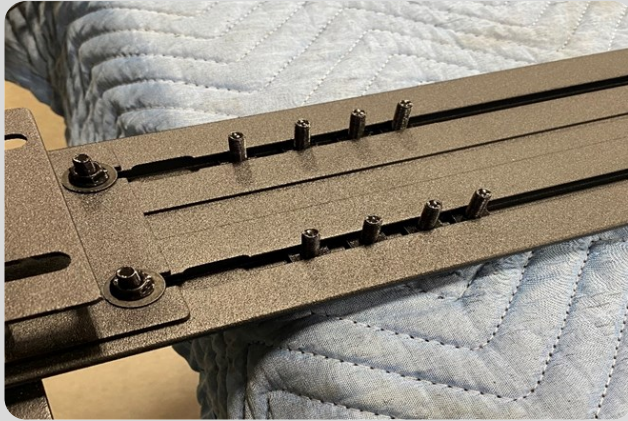
Installation Instructions



Step 10:

Connect the (2) half platforms together, secure using (8) M6 x 20mm bolt, (8) M6 flat washers, (8) M6 lock washers.

Note: you can use a rubber mallet to connect the two half together.



Step 11:

Install (8) on each rack cross bars if your rack uses 4 stringers. Four per channel. As pictured to the left.

Install (6) on each rack cross bars if your rack uses 3 stringers. Three per channel.



Step 12:

Locate stringer mounting bracket and install it to the inside corner of the roof platform by loosening up (2) of the pre-installed T bolts on the inside of the roof platform. Leave it loose for adjustment.

Allocate remaining T bolts as needed for additional accessories (wind deflector, light bar, etc.)



For Technical Support / Warranty Information please call 800-776-0767 EXT 1317
Smittybilt, 400 W Artesia, Compton, CA 90220

Installation Instructions



Step 13:

Install the stringer to rack cross bars by aligning the stringer holes to the T bolts previously installed to rack cross bars.

Secure the stringer to rack cross bar using M6 nylock and flat washers.

Leave it loose for adjustment.



Step 14:

Secure both ends of the stringers to the stringer mounting bracket using M6 x 20mm bolts, washers, and lock washers.

Leave it loose for adjustment.

Repeat steps 12-14 for however many stringers you have. **Be sure to check that your spacing allows for wind deflector installation and light mounts if needed.**

Tighten all hardware. Refer to page 9 for torque specs.



Prototype shown above. Production part may differ.

Your installation is now complete

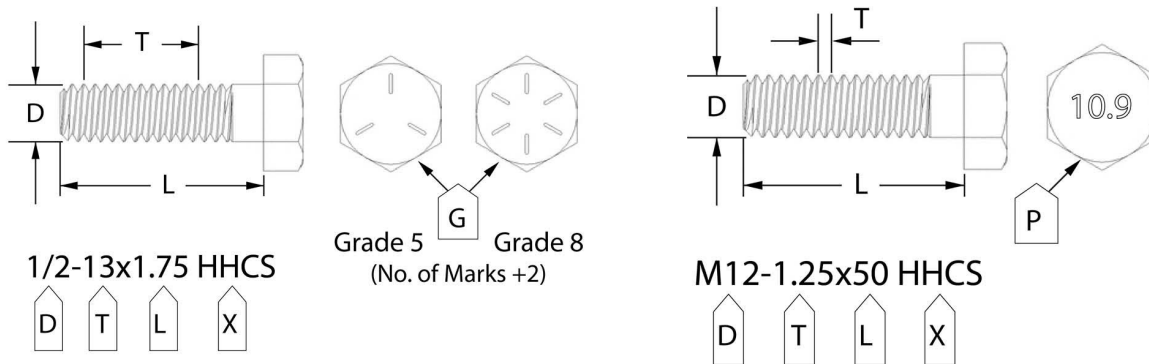


For Technical Support / Warranty Information please call 800-776-0767 EXT 1317
Smittybilt, 400 W Artesia, Compton, CA 90220

Bolt Torque Specifications

Use this only as a guide for hardware without a called out torque specification in the instruction manual.

Bolt Torque and ID						
Decimal System			Metric System			
<i>All Torques in Ft. Lbs. Maximums</i>						
Bolt Size	Grade 5	Grade 8	Bolt Size	Class 9.8	Class 10.9	Class 12.9
5/16	15	20	M6	5	9	12
3/8	30	45	M8	18	23	27
7/16	45	60	M10	32	45	50
1/2	65	90	M12	55	75	90
9/16	95	130	M14	85	120	145
5/8	135	175	M16	130	165	210
3/4	185	280	M18	170	240	290



G= Grade (Bolt Strength)
 D= Nominal Diameter (Inches)
 T= Thread Count (Threads per Inch)
 L= Length (Inches)
 X= Description (Hex Head Cap Screw)

P= Property Class (Bolt Strength)
 D= Nominal Diameter (Millimeters)
 T= Thread Pitch (Thread Width, mm)
 L= Length (Millimeters)
 X= Description (Hex Head Cap Screw)



For Technical Support / Warranty Information please call 800-776-0767 EXT 1317
 Smittybilt, 400 W Artesia, Compton, CA 90220

Notes and Disclaimers

Product cleaning and maintenance instructions

Stainless Steel Finish – Aluminum polish may be used to polish small scratches and scuffs on the finish. Mild soap, window or glass cleaner may be used to clean the finish. Dual state powder coat finish – Mild soap, window or glass cleaner may be used to clean the finish. In order to protect the finish, you may wax your product on a regular basis with pure carnauba automotive wax. Do not use any types of soap, polish or wax that contains abrasive that could damage the finish. Textured coated finishes should be cleaned with a mild soap on a damp sponge. Do not apply polish or wax that requires to be removed by means of buffing. This type of wax is commonly used at car wash facilities. Chrome Finish – Mild soap, window or glass cleaner may be used to clean the finish. In order to protect the finish, you should wax your product on a regular basis with pure carnauba automotive wax. Do not use any types of soap, polish or wax that contains abrasive that could damage the finish.

Limited Warranties

Smittybilt's products are covered under the following limited warranties only. Note that the duration of the limited warranty differs according to the material and finish of the product purchased. Subject to the duration and conditions of the limited warranty stated below, Smittybilt warrants to the original retail purchaser that its products are free from defects in material and workmanship. All other warranties and representations express or implied, are hereby disclaimed, including fitness for merchantability and buyer's intended use or purpose. All parts are sold "AS IS" except for the limited warranties granted herein. Buyer assumes all risks as to the selection, suitability and performance of all goods and products selected. This limited warranty does not cover damage or impairment in any part due to misuse, improper installation, accident or contact with on-road or off-road hazards, product modification, improper or inadequate cleaning and/or maintenance. Smittybilt is not responsible for items damaged during shipping. This warranty is not transferable from the original buyer. For the original Buyer to be eligible for the limited warranty coverage, the Buyer must provide proof of purchase. Smittybilt strongly recommends returning the warranty registration card. Customer's remedy hereunder shall be limited only to repair or replacement (at Smittybilt's option) of any defective part(s) returned to Smittybilt at customer's expense. The determination of whether or not a returned part is defective or subject to coverage under the limited warranties stated herein shall be made at Smittybilt's sole discretion. To assure product quality, Smittybilt reserves the right to change product design, material, specification and finishes without prior notice to customers. This limited warranty gives you specific legal rights and you may also have other rights, which may vary from state to state. Some states do not allow limitations on how long an implied warranty lasts, so the above limitations may not apply as to you. Also, some states do not allow the exclusion or limitation of incidental or consequential damages, so the above limitations or exclusions may not apply to you. Smittybilt reserves the right to discontinue product lines and substitute products or provide other remedies than those listed in this limited warranty for those discontinued products.

Warning

Rollover and other types of vehicle accidents may result in serious injury or death to you, your passengers and others sharing the road. Smittybilt accessories are decorative and are not intended to reduce or avoid injury or damage in the event of an accident. The weight and location of Smittybilt accessories may affect your vehicles' handling, stability and performance, creating an increased risk of accident or rollover. Before installing any accessory, check state laws and assure that the accessory will not obscure any lights or interfere with proper operation on your vehicle's safety equipment. Consult your owner's manual and the Smittybilt instructions, or additional safety information. Smittybilt products, nor the warnings contained herein, are not a substitute for your safe driving. Don't drink and drive, always use seat belts and don't drive faster than conditions permit.



WARNING: Cancer and Reproductive Harm
www.P65Warnings.ca.gov



For Technical Support / Warranty Information please call 800-776-0767 EXT 1317
Smittybilt, 400 W Artesia, Compton, CA 90220