



# GEARPACK



4505 - 5L



4530 - 30L



4591 - 91L



4556 - 56L



For Technical Support / Warranty Information please call 1-800-776-0767  
Smittybilt, 1017 W 600 N STE 4, Ogden, UT 84404

## Introduction

Thank you for choosing Smittybilt accessories! If you would like to view our full range of available accessories, please visit us at [www.smittybilt.com](http://www.smittybilt.com)



Overland Chairs



Overland Tents



Trail Bag



270° Awning



Scout Trailer



Winches

## Important Notes Before Starting

### **!** IMPORTANT NOTE

Carefully read through this guide prior to use. Retain this owner's manual for reference.

### **!** WARNING

Serious injury can occur when lifting a loaded GEARPACK alone.

When possible, work with another person to reduce risk of injury from strain or other dangers that can occur when working alone.



For Technical Support / Warranty Information please call 1-800-776-0767  
Smittybilt, 1017 W 600 N STE 4, Ogden, UT 84404

## Product Safety



### WARNING

#### **WARNING: SUFFOCATION RISK**

Smittybilt GEARPACKS are designed to be airtight and waterproof. DO NOT ALLOW CHILDREN TO PLAY IN OR AROUND THIS GEARPACK. SERIOUS INJURY OR DEATH MAY RESULT.

- Do NOT store flammable liquids or gases in or near your GEARPACK.
- Do NOT use sharp, corrosive or abrasive cleaners to clean your GEARPACK.
- Do NOT place your GEARPACK near flames or other heat sources (fires, direct sunlight, heaters, etc.)
- Keep lid open if internal foam is wet, until completely dry.

## Usage Tips

### 1. Cleaning

To clean your GEARPACK, use a damp microfiber cloth with mild soap and water as necessary. Do not use any abrasive cleaners or brushes that could scratch the surface.

### 2. Humid Conditions

In humid conditions to protect your GEARPACK and any items inside, we recommend using silica gel moisture absorbing packets inside the GEARPACK.

### 3. O-Ring Maintenance

Occasionally inspect the o-ring seal located in the air valve. If the seal is dirty it can be cleaned with mild soap and water. If the o-ring seal is in any way damaged, replacement seals can be ordered from any authorized Smittybilt Dealer.

### 4. Pick and Pack Foam

- A. Lay out all the items on top of the foam, making sure there is adequate spacing between each item. Always keep items within the precut area.
- B. Mark the cubes that need to be removed. The precut cubes can be removed individually or as a set. Save the foam, in case you want to change the layout later.
- C. Repeat the process above for each item.
- D. The removed foam can be cut and adhered to the bottom of the foam to adjust the height each item.
- E. To repair tears or replace cubes use a spray adhesive, following the instructions included with the adhesive.



For Technical Support / Warranty Information please call 1-800-776-0767  
Smittybilt, 1017 W 600 N STE 4, Ogden, UT 84404

## Padlock Installation

### Step 1:

Locate the pad lock holes on your GEARPACK. There will be two holes, one at each front corner.



### Step 2:

Install two padlocks, one through each hole. Be sure to use a padlock with a 2" shackle. A padlock with a shackle that is too short may not allow the shackle to engage with the locking mechanism. A padlock with a shackle that is too long may allow for unintended access into your GEARPACK.



## 91L Handle

### Extend:

To extend the handle, use the handle grip and pull the handle outwards until the locking tab fully engages.



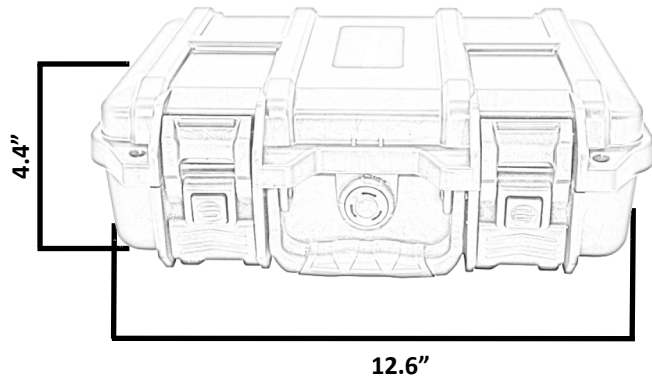
### Retract:

To retract the handle, slide the locking tab (circled) downwards. With the locking tab depressed, press down on the handle until it has reached its completely retracted position.



For Technical Support / Warranty Information please call 1-800-776-0767  
Smittybilt, 1017 W 600 N STE 4, Ogden, UT 84404

## Technical Information: S/B4505

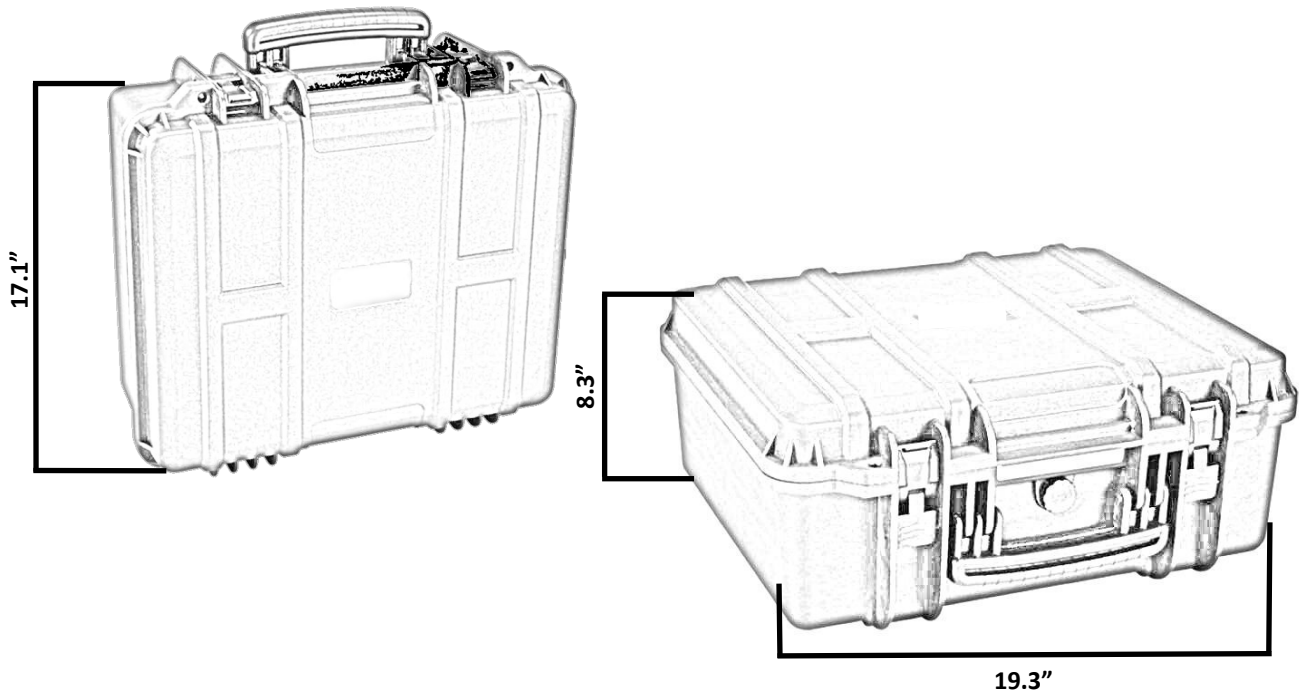


Tech Data	S/B4505 - 5L GEARPACK
Total Capacity	5 Liters
Weight	2.76lbs (1.25kg)
External Dimensions	12.6" x 9" x 4.4" (L x W x H)
Internal Dimensions	11.8" x 7.5" x 3.5" (L x W x H)
Material	Polypropylene Fiberglass
Air Valve	Automatic Pressure Equalization Valve
Hardware Material	Stainless Steel
Lid Height	1.18"
Base Height	2.36"
Features	<ul style="list-style-type: none"> <li>• Pick and pack customizable foam</li> <li>• Waterproof, shock resistant, crush resistant, and dustproof</li> <li>• Easy open dual-throw latches</li> <li>• O-ring seal</li> <li>• Lifetime Warranty</li> </ul>



For Technical Support / Warranty Information please call 1-800-776-0767  
Smittybilt, 1017 W 600 N STE 4, Ogden, UT 84404

## Technical Information: S/B4530

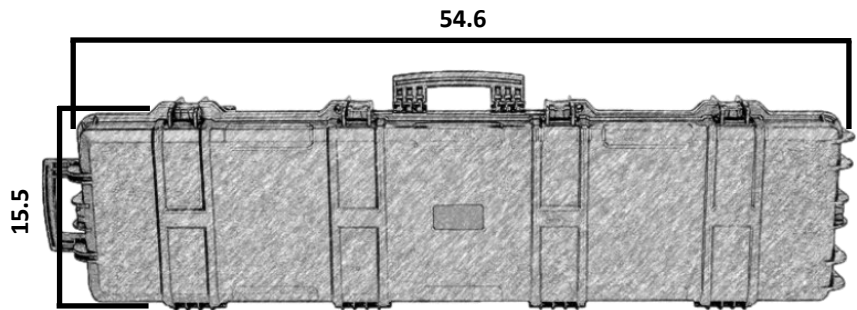
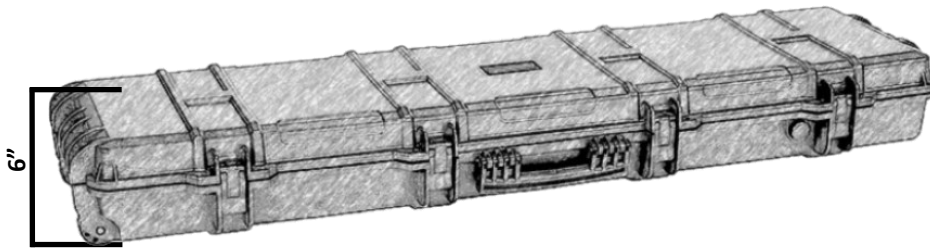


Tech Data	S/B4530 - 30L GEARPACK
Total Capacity	30 Liters
Weight	8.07lbs (3.66kg)
External Dimensions	19.3" x 17.1" x 8.3" (L x W x H)
Internal Dimensions	18.2" x 14.7" x 7.2" (L x W x H)
Material	Polypropylene Fiberglass
Air Valve	Automatic Pressure Equalization Valve
Hardware Material	Stainless Steel
Lid Height	1.57"
Base Height	5.59"
Features	<ul style="list-style-type: none"> <li>• Pick and pack customizable foam</li> <li>• Waterproof, shock resistant, crush resistant, and dustproof</li> <li>• Easy open dual-throw latches</li> <li>• O-ring seal</li> <li>• Lifetime Warranty</li> </ul>



For Technical Support / Warranty Information please call 1-800-776-0767  
Smittybilt, 1017 W 600 N STE 4, Ogden, UT 84404

## Technical Information: S/B4556

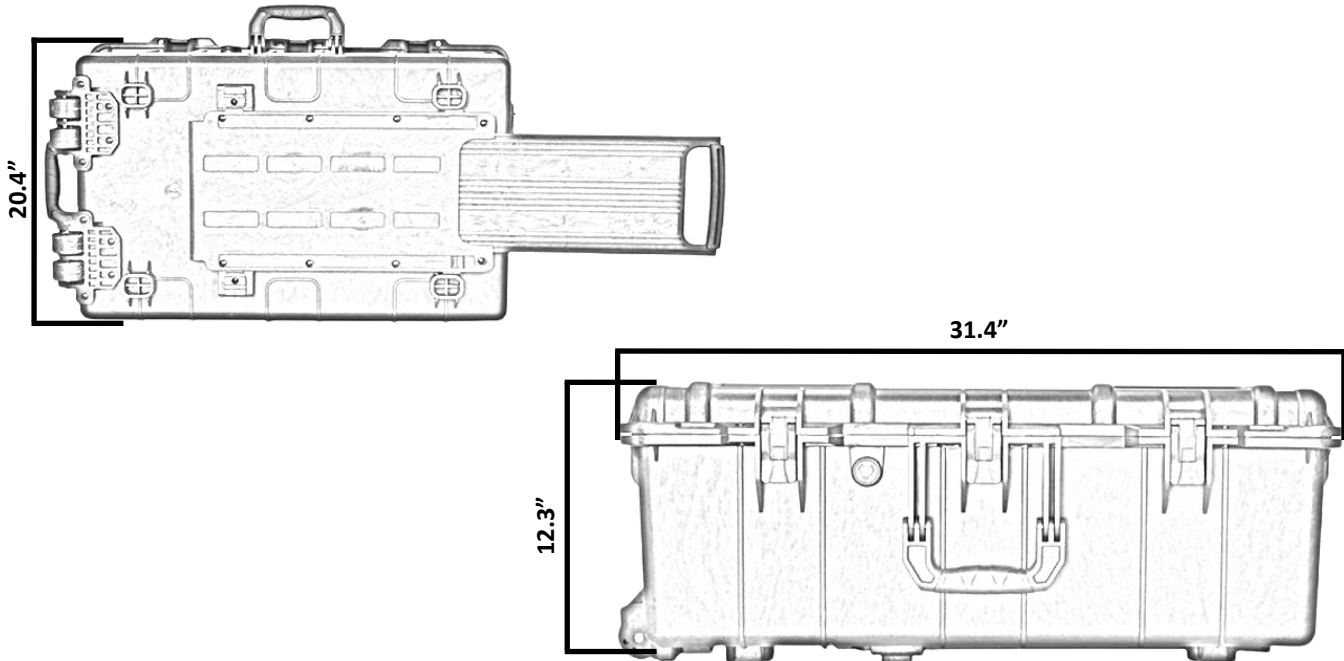


Tech Data	S/B4556 - 56L GEARPACK
Total Capacity	56 Liters
Weight	18.96lbs (8.6kg)
External Dimensions	54.6" x 15.5" x 6" (L x W x H)
Internal Dimensions	51.5" x 12.6" x 5.2" (L x W x H)
Material	Polypropylene Fiberglass
Air Valve	Automatic Pressure Equalization Valve
Hardware Material	Stainless Steel
Lid Height	1.97"
Base Height	3.27"
Features	<ul style="list-style-type: none"> <li>• Wheels installed for easy transport</li> <li>• Waterproof, shock resistant, crush resistant, and dustproof</li> <li>• Easy open dual-throw latches</li> <li>• O-ring seal</li> <li>• Lifetime Warranty</li> </ul>



For Technical Support / Warranty Information please call 1-800-776-0767  
Smittybilt, 1017 W 600 N STE 4, Ogden, UT 84404

# Technical Information: S/B4591



Tech Data	S/B4591 - 91L GEARPACK
Total Capacity	91 Liters
Weight	25.35lbs (11.5kg)
External Dimensions	31.4" x 20.4" x 12.3" (L x W x H)
Internal Dimensions	29" x 18" x 10.8" (L x W x H)
Material	Polypropylene Fiberglass
Air Valve	Automatic Pressure Equalization Valve
Hardware Material	Stainless Steel
Lid Height	1.85"
Base Height	8.90"
Features	<ul style="list-style-type: none"> <li>• Wheels and retractable handle</li> <li>• Waterproof, shock resistant, crush resistant, and dustproof</li> <li>• Easy open dual-throw latches</li> <li>• O-ring seal</li> <li>• Lifetime Warranty</li> </ul>



For Technical Support / Warranty Information please call 1-800-776-0767  
 Smittybilt, 1017 W 600 N STE 4, Ogden, UT 84404



# Notes and Disclaimers

## Product cleaning and maintenance instructions

Stainless Steel Finish – Aluminum polish may be used to polish small scratches and scuffs on the finish. Mild soap, window or glass cleaner may be used to clean the finish. Dual state powder coat finish – Mild soap, window or glass cleaner may be used to clean the finish. In order to protect the finish, you may wax your product on a regular basis with pure carnauba automotive wax. Do not use any types of soap, polish or was that contains abrasive that could damage the finish. Textured coated finishes should be cleaned with a mild soap on a damp sponge. Do not apply polish or was that requires to be removed by means of buffing. This type of wax is commonly used at car wash facilities. Chrome Finish – Mild soap, window or glass cleaner may be used to clean the finish. In order to protect the finish, you should wax your product on a regular basis with pure carnauba automotive wax. Do not use any types of soap, polish or was that contains abrasive that could damage the finish.

## SMITTYBILT ADVANTAGE WARRANTY

### LIMITED-LIFETIME WARRANTY FOR MANUFACTURING DEFECTS

Smittybilt Automotive Products, LLC (SAP) warrants to the original purchaser that (a) the physical components (e.g., case shell, latches, etc.) of any SAP **GEARPACK** will be free of defects in material and workmanship for the lifetime of the product from the date of purchase of the GEARPACK. This warranty applies only to the original purchaser of the GEARPACK and is non-transferable. To obtain any warranty service, you must provide SAP with a proof of purchase and date of purchase that is acceptable to SAP, such as a copy of your purchase receipt.

This warranty does not cover labor of part replacement of the GEARPACK. This warranty only applies to the GEARPACK and does not cover items inside the case nor the internal foam. SAP will, at its sole discretion, provide replacement part(s) for a defective GEARPACK or component, provided this is done within the warranty period. To request assistance under warranty, one must call or email using the phone number or email at the bottom of this page. This warranty does not apply (1) wearable components; or (2) if the GEARPACK has been damaged, including, but not limited to: abuse, misuse, collision, modification, misapplication, improper installation, or improper service. This warranty is void if any SAP serial number has been removed or defaced; or if the GEARPACK is used for any commercial, industrial, or rental applications. This warranty only applies to GEARPACKS bought, sold, and used within the United States or Canada unless otherwise specifically agreed in writing by SAP.

THE WARRANTY SET FORTH ABOVE IS THE ONLY WARRANTY. THERE ARE NO OTHER WARRANTIES, EXPRESSED OR IMPLIED, INCLUDING BUT NOT LIMITED TO IMPLIED WARRANTIES OF MERCHANTABILITY OR FITNESS FOR A PARTICULAR PURPOSE. ANY IMPLIED WARRANTY WHICH BY LAW MAY NOT BE EXCLUDED IS LIMITED TO A DURATION OF ONE (1) YEAR FROM THE DATE OF ORIGINAL RETAIL PURCHASE OF THE PRODUCT. No SAP dealer, agent, or employee is authorized to make any modification, extension or addition to this warranty. SAP SHALL NOT BE LIABLE FOR SPECIAL, INDIRECT, INCIDENTAL OR CONSEQUENTIAL DAMAGES (INCLUDING, BUT NOT LIMITED TO, LOST PROFITS, DOWN TIME OR LOSS OF USE) UNDER ANY LEGAL THEORY, EVEN IF SAP WAS ADVISED OF THE POSSIBILITY OF SUCH DAMAGES. Some states do not allow the exclusion of implied warranties or the exclusion or limitation of liability for incidental or consequential damages, or limitations on how long an implied warranty lasts, so the above limitation or exclusion may not apply to you. This Warranty gives you specific legal rights. You may also have other rights that vary from state to state. SAP reserves the right to change product design without notice. In situations in which SAP has changed a product design, SAP shall have no obligation to upgrade or otherwise modify previously manufactured products. For warranty inquiries contact SAP at:

Smittybilt Automotive Products, LLC

Customer Service Department

Call 1-800-776-0767 or Email [info@smittybilt.com](mailto:info@smittybilt.com)



**WARNING: Cancer and Reproductive Harm**  
[www.P65Warnings.ca.gov](http://www.P65Warnings.ca.gov)



For Technical Support / Warranty Information please call 1-800-776-0767  
Smittybilt, 1017 W 600 N STE 4, Ogden, UT 84404