



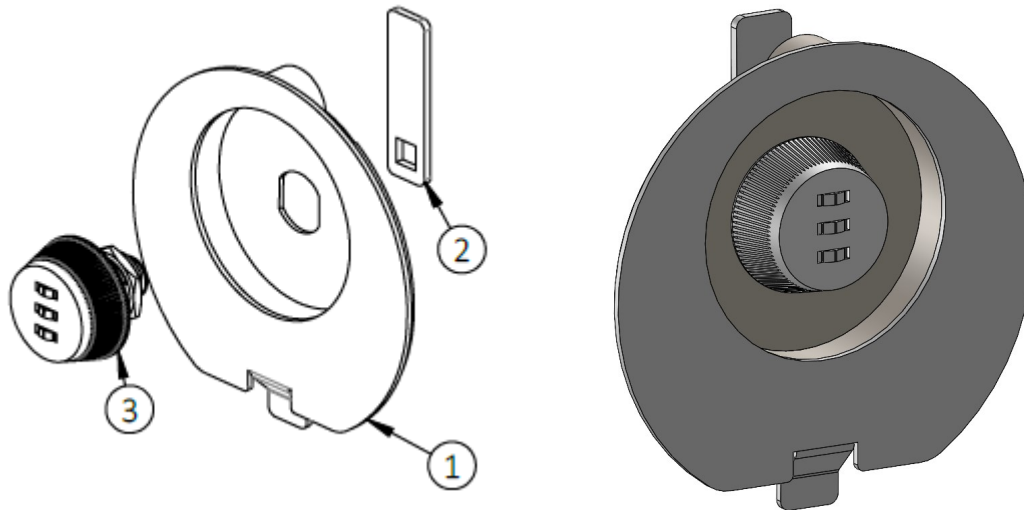
**IF YOU'RE MISSING  
HARDWARE OR  
COMPONENTS OR IN  
NEED OF TECHNICAL  
ASSISTANCE CONTACT  
SMITTYBILT  
DIRECTLY AT  
1-800-776-0767**

**[info@smittybilt.com](mailto:info@smittybilt.com)**



**Installation Instructions:**  
*(Part # SB2764)*  
*Bumper Storage Locking Cover*  
*Universal*

**NOTE: Carefully read entire instructions thoroughly before attempting to install this part.**



Parts Included	Qty	ID
84-419AA910 LOCK BOX PLATE	1	1
97-419AA916 LOCK ARM EXTENSION PLATE	1	2
7138A14 COMBINATION LOCK	1	3

For Technical Support/Warranty Information please call 310-762-9944



# Installation Instructions:

(Part # SB2764)  
Bumper Storage Locking Cover  
Universal

## INSTALLATION:

- Step 1:** Open the box containing your Bumper Storage Locking Cover. Check all parts against the Bill of Materials outlined in the first pages of these instructions. **If anything is missing, contact Smittybilt Technical Support immediately.**
- Step 2:** The default lock combination is 0-0-0. To change the combination, set the lock to 0-0-0 and locate the reset pin on the bottom of the lock (Fig. A). Insert a small screwdriver or paperclip (Fig. B) and hold while changing the code. Be careful not to release the pin while changing the code. Make sure all numbers are aligned to your desired code and release the pin (Fig. C). Rotate lock to confirm new code works.



Figure A

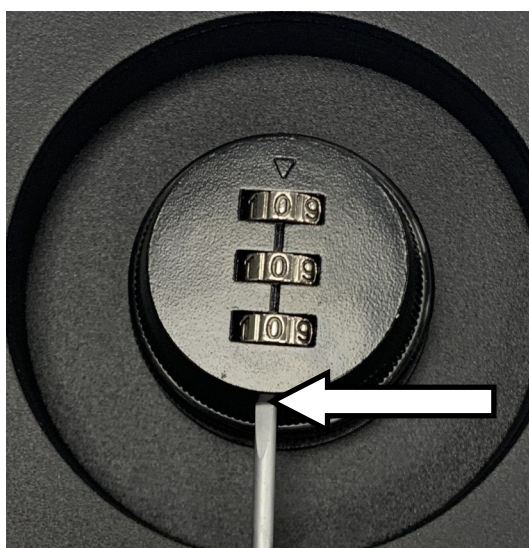


Figure B

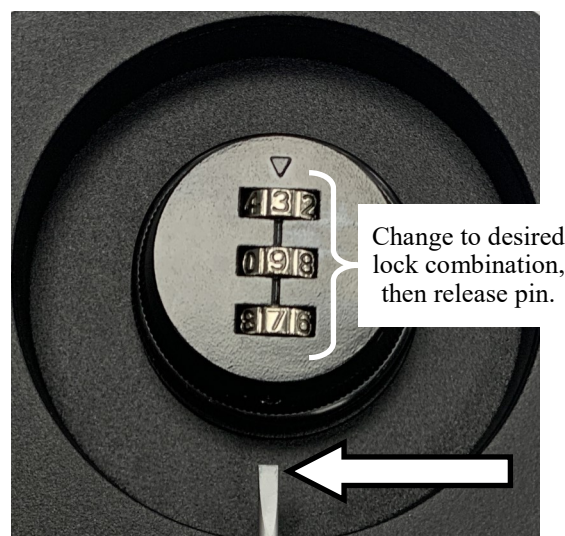


Figure C

For Technical Support/Warranty Information please call 310-762-9944



# Installation Instructions:

(Part # SB2764)  
Bumper Storage Locking Cover  
Universal

## INSTALLATION:

**Step 3:** To install into your Bumper Storage Locking Cover compatible bumper, lift the license plate at the bottom corners to expose the storage compartment. Remove the plastic cubby plug if installed.

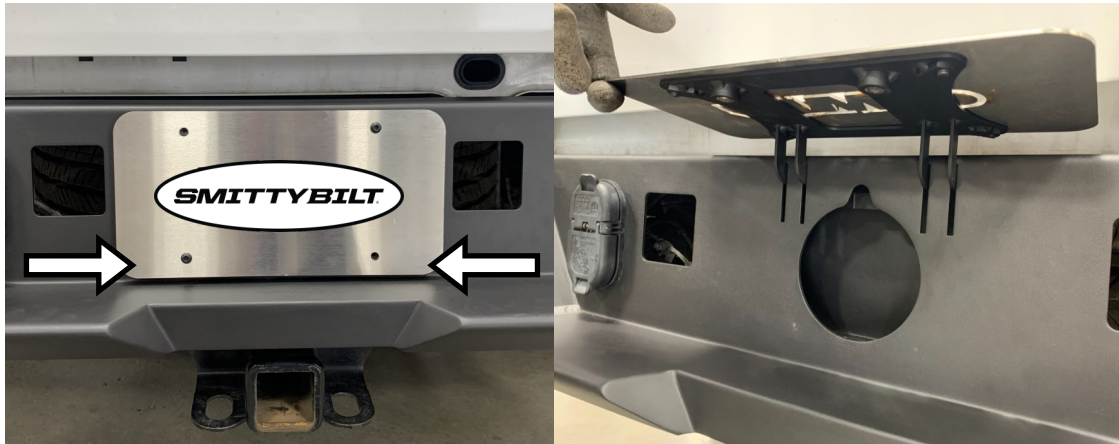


Figure C

**Step 4:** Type in your code and put the lock in the unlocked position (Fig. D).



Figure D

For Technical Support/Warranty Information please call 310-762-9944

Smittybilt, 400 W Artesia, Compton, CA 90220



## Installation Instructions: (Part # SB2764) Bumper Storage Locking Cover Universal

### INSTALLATION:

**Step 5:** Place the bottom tab of the cover in the bottom catch, and pivot cover upwards to close (Fig. E). Once closed, apply pressure to cover and rotate combination lock to vertical position to close (Fig. F). To secure, move dials to a new set of numbers away from the set combination. To remove cover, enter code, apply pressure and rotate opposite direction to unlock.



Figure E



Figure F

For Technical Support/Warranty Information please call 310-762-9944

---

Smittybilt, 400 W Artesia, Compton, CA 90220



# Installation Instructions:

(Part # SB2764)  
Bumper Storage Locking Cover  
Universal

Use this only as a guide for hardware without a called out torque specification in the instruction manual.

<b>Bolt Torque and ID</b>						
<b>Decimal System</b>			<b>Metric System</b>			
All Torques in Ft. Lbs. Maximums						
Bolt Size	Grade 5	Grade 8	Bolt Size	Class 9.8	Class 10.9	Class 12.9
5/16	15	20	M6	5	9	12
3/8	30	45	M8	18	23	27
7/16	45	60	M10	32	45	50
1/2	65	90	M12	55	75	90
9/16	95	130	M14	85	120	145
5/8	135	175	M16	130	165	210
3/4	185	280	M18	170	240	290

1/2-13x1.75 HHCS

Grade 5    Grade 8  
(No. of Marks + 2)

D T L X

G = Grade (Bolt Strength)  
D = Nominal Diameter (Inches)  
T = Thread Count (Threads per Inch)  
L = Length (Inches)  
X = Description (Hex Head Cap Screw)

M12-1.25x50 HHCS

D T L X

P = Property Class (Bolt Strength)  
D = Nominal Diameter (Millimeters)  
T = Thread Pitch (Thread Width, mm)  
L = Length (Millimeters)  
X = Description (Hex Head Cap Screw)

*Jeep, Wrangler, Rubicon, Renegade, CJ, Quada Trac and the Jeep Grille Design are Registered trademarks of FIAT Chrysler Automotive (FCA)*



For Technical Support/Warranty Information please call 310-762-9944



# Installation Instructions:

(Part # SB2764)  
Bumper Storage Locking Cover  
Universal

## Product cleaning and maintenance instructions

Stainless Steel Finish – Aluminum polish may be used to polish small scratches and scuffs on the finish. Mild soap, window or glass cleaner may be used to clean the finish. Dual state powder coat finish – Mild soap, window or glass cleaner may be used to clean the finish. In order to protect the finish, you may wax your product on a regular basis with pure carnauba automotive wax. Do not use any types of soap, polish or was that contains abrasive that could damage the finish. Textured coated finishes should be cleaned with a mild soap on a damp sponge. Do not apply polish or was that requires to be removed by means of buffing. This type of wax is commonly used at car wash facilities. Chrome Finish – Mild soap, window or glass cleaner may be used to clean the finish. In order to protect the finish, you should wax your product on a regular basis with pure carnauba automotive wax. Do not use any types of soap, polish or was that contains abrasive that could damage the finish.

## Limited Warranties

Smittybilt's products are covered under the following limited warranties only. Note that the duration of the limited warranty differs according to the material and finish of the product purchased. Subject to the duration and conditions of the limited warranty stated below, Smittybilt warrants to the original retail purchaser that its products are free from defects in material and workmanship. All other warranties and representations express or implied, are hereby disclaimed, including fitness for merchantability and buyer's intended use or purpose. All parts are sold "AS IS" except for the limited warranties granted herein. Buyer assumes all risks as to the selection, suitability and performance of all goods and products selected. This limited warranty does not cover damage or impairment in any part due to misuse, improper installation, accident or contact with on-road or off-road hazards, product modification, improper or inadequate cleaning and/or maintenance. Smittybilt is not responsible for items damaged during shipping. This warranty is not transferable from the original buyer. For the original Buyer to be eligible for the limited warranty coverage, the Buyer must provide proof of purchase. Smittybilt strongly recommends returning the warranty registration card.

Customer's remedy hereunder shall be limited only to repair or replacement (at Smittybilt's option) of any defective part(s) returned to Smittybilt at customer's expense. The determination of whether or not a returned part is defective or subject to coverage under the limited warranties stated herein shall be made at Smittybilt's sole discretion.

To assure product quality, Smittybilt reserves the right to change product design, material, specification and finishes without prior notice to customers. This limited warranty gives you specific legal rights and you may also have other rights, which may vary from state to state. Some states do not allow limitations on how long an implied warranty lasts, so the above limitations may not apply as to you. Also, some states do not allow the exclusion or limitation of incidental or consequential damages, so the above limitations or exclusions may not apply to you. Smittybilt reserves the right to discontinue product lines and substitute products or provide other remedies than those listed in this limited warranty for those discontinued products.

## Warning

Rollover and other types of vehicle accidents may result in serious injury or death to you, your passengers and others sharing the road. Smittybilt accessories are decorative and are not intended to reduce or avoid injury or damage in the event of an accident. The weight and location of Smittybilt accessories may affect your vehicles' handling, stability and performance, creating an increased risk of accident or rollover. Before installing any accessory, check state laws and assure that the accessory will not obscure any lights or interfere with proper operation on your vehicle's safety equipment. Consult your owner's manual and the Smittybilt instructions, or additional safety information. Smittybilt products, nor the warnings contained herein, are not a substitute for your safe driving. Don't drink and drive, always use seat belts and don't drive faster than conditions permit.

*Jeep, Wrangler, Rubicon, Renegade, CJ, Quada Trac and the Jeep Grille Design are Registered trademarks of FIAT Chrysler Automotive (FCA)*



**WARNING: Cancer and Reproductive Harm -**  
[www.P65Warnings.ca.gov](http://www.P65Warnings.ca.gov).

**For Technical Support/Warranty Information please call 310-762-9944**

**Smittybilt, 400 W Artesia, Compton, CA 90220**



---

**NOTE:** Please take time to fill in the information requested below. It is highly recommended to keep this with the instructions and warranty information in a safe location. This will help with any warranty or customer service issues if they should arise. Please write down the DOP# that is located on the outside of the box and or on part or hardware box. (Pictured Below)



Part Number: \_\_\_\_\_

Date of Purchase: \_\_\_\_\_

Where did you purchase this product? \_\_\_\_\_

Store or catalog name: \_\_\_\_\_

Store Location: \_\_\_\_\_

Invoice # \_\_\_\_\_

DOP# \_\_\_\_\_

Who installed or will install your Smittybilt product? \_\_\_\_\_

---

*Jeep, Wrangler, Rubicon, Renegade, CJ, Quada Trac and the Jeep Grille Design are Registered trademarks of FIAT Chrysler Automotive (FCA)*



**WARNING: Cancer and Reproductive Harm -**  
[www.P65Warnings.ca.gov](http://www.P65Warnings.ca.gov)

**For Technical Support/Warranty Information please call 310-762-9944**

---

**Smittybilt, 400 West Artesia Blvd, Compton, CA 90220**